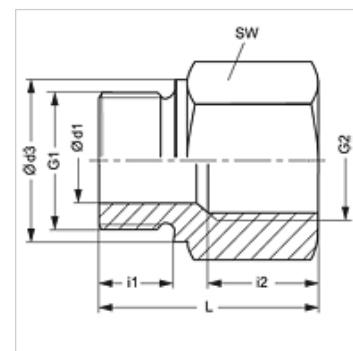


Osobine

| | |
|--------------------|----------------------------------|
| Priključak 1 | BSP spoljni cilindrični navoj |
| Oblik zaptivke 1 | oblik B |
| Priključak 2 | BSP unutrašnji cilindrični navoj |
| Konstrukcija | Promenljivi reducir |
| Konstrukcija | duge |
| Norma | DIN 2353 ISO 8434-1 |
| Materijal | čelik |
| Površinska zaštita | galvanska prevlaka |



Napomena

Molimo Vas da napomene za montažu, ugradnju, opterećenje pod pritiskom i dozvoljene radne temperature nađete u tehničkim informacijama o navojnim spojevima za cevi.

Artikal

| Naziv | Radni pritisak bar | Ø d1 (mm) | G1 | G2 | Ø d3 (mm) | i1 (mm) | i2 (mm) | L (mm) | SW (mm) |
|--------------|--------------------|--------------|--------------|--------------|--------------|------------|------------|-----------|------------|
| RIL NW 03 06 | PN 400 | 4 | G 1/8" -28 | G 1/4" -19 | 14 | 8 | 17,0 | 31,0 | 19 |
| RIL NW 03 10 | PN 400 | 4 | G 1/8" -28 | G 3/8" -19 | 14 | 8 | 17,0 | 32,0 | 24 |
| RIL NW 06 03 | PN 400 | 5 | G 1/4" -19 | G 1/8" -28 | 18 | 12 | 12,0 | 28,0 | 19 |
| RIL NW 06 06 | PN 400 | 5 | G 1/4" -19 | G 1/4" -19 | 18 | 12 | 17,0 | 35,0 | 19 |
| RIL NW 06 10 | PN 400 | 5 | G 1/4" -19 | G 3/8" -19 | 18 | 12 | 17,0 | 36,0 | 24 |
| RIL NW 06 13 | PN 400 | 5 | G 1/4" -19 | G 1/2" -14 | 18 | 12 | 20,0 | 40,0 | 27 |
| RIL NW 06 20 | PN 315 | 5 | G 1/4" -19 | G 3/4" -14 | 18 | 12 | 22,0 | 43,0 | 36 |
| RIL NW 10 06 | PN 400 | 8 | G 3/8" -19 | G 1/4" -19 | 22 | 12 | 17,0 | 36,0 | 22 |
| RIL NW 10 10 | PN 400 | 8 | G 3/8" -19 | G 3/8" -19 | 22 | 12 | 17,0 | 35,5 | 24 |
| RIL NW 10 13 | PN 400 | 8 | G 3/8" -19 | G 1/2" -14 | 22 | 12 | 20,0 | 41,0 | 27 |
| RIL NW 10 20 | PN 315 | 8 | G 3/8" -19 | G 3/4" -14 | 22 | 12 | 22,0 | 44,0 | 36 |
| RIL NW 13 10 | PN 315 | 12 | G 1/2" -14 | G 3/8" -19 | 26 | 14 | 17,0 | 36,0 | 27 |
| RIL NW 13 13 | PN 315 | 12 | G 1/2" -14 | G 1/2" -14 | 26 | 14 | 20,0 | 42,0 | 27 |
| RIL NW 13 20 | PN 315 | 12 | G 1/2" -14 | G 3/4" -14 | 26 | 14 | 22,0 | 46,0 | 36 |
| RIL NW 13 25 | PN 315 | 12 | G 1/2" -14 | G 1" -11 | 26 | 14 | 24,5 | 49,0 | 41 |
| RIL NW 13 32 | PN 160 | 10 | G 1/2" -14 | G 1.1/4" -11 | 26 | 14 | 26,5 | 53,0 | 55 |
| RIL NW 20 13 | PN 315 | 16 | G 3/4" -14 | G 1/2" -14 | 32 | 16 | 20,0 | 41,0 | 32 |
| RIL NW 20 20 | PN 315 | 16 | G 3/4" -14 | G 3/4" -14 | 32 | 16 | 22,0 | 46,0 | 36 |
| RIL NW 20 25 | PN 315 | 16 | G 3/4" -14 | G 1" -11 | 32 | 16 | 24,5 | 51,0 | 41 |
| RIL NW 20 32 | PN 160 | 16 | G 3/4" -14 | G 1.1/4" -11 | 32 | 16 | 26,5 | 55,0 | 55 |
| RIL NW 20 40 | PN 160 | 16 | G 3/4" -14 | G 1.1/2" -11 | 32 | 16 | 28,5 | 57,0 | 60 |
| RIL NW 25 20 | PN 315 | 20 | G 1" -11 | G 3/4" -14 | 39 | 18 | 22,0 | 47,0 | 41 |
| RIL NW 25 32 | PN 160 | 20 | G 1" -11 | G 1.1/4" -11 | 39 | 18 | 26,5 | 57,0 | 55 |
| RIL NW 25 40 | PN 160 | 20 | G 1" -11 | G 1.1/2" -11 | 39 | 18 | 28,5 | 59,0 | 60 |
| RIL NW 32 25 | PN 160 | 25 | G 1.1/4" -11 | G 1" -11 | 49 | 20 | 24,5 | 52,0 | 50 |
| RIL NW 32 40 | PN 160 | 25 | G 1.1/4" -11 | G 1.1/2" -11 | 49 | 20 | 28,5 | 60,0 | 60 |
| RIL NW 40 32 | PN 160 | 32 | G 1.1/2" -11 | G 1.1/4" -11 | 55 | 22 | 26,5 | 58,0 | 55 |
| RIL NW 50 40 | PN 160 | 40 | G 2" -11 | G 1.1/2" -11 | 68 | 24 | 28,5 | 62,0 | 70 |

PN = nominalni pritisak PB = maks. radni pritisak

Varijante proizvoda

| | |
|--------|---|
| RIL MG | Promenljivi reducir, dug, Mesing |
| RIL VA | Promenljivi reducir, dug, plemeniti čelik |