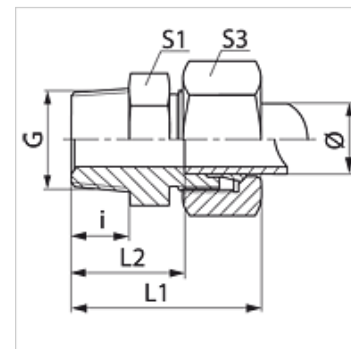


Osobine

Priključak 1	metrički spoljni konusni navoj
Oblik zaptivke 1	zaptivanje preko navoja
Priključak 2	metrički spoljni cilindrični navoj
Oblik zaptivke 2	24° unutrašnji konus
Konstrukcija	Uvrtni navojni spoj
Konstrukcija	pravo
Norma	DIN 2353 ISO 8434-1
Obim isporuke	Nastavak sa preklopnom navrtkom i reznim prstenom
Materijal	čelik
Površinska zaštita	galvanska prevlaka



Napomena

Molimo Vas da napomene za montažu, ugradnju, opterećenje pod pritiskom i dozvoljene radne temperature nađete u tehničkim informacijama o navojnim spojevima za cevi.

Artikal

Naziv	Seriya	Radni pritisak bar	Cev spolja Ø (mm)	G	i (mm)	L1 (mm)	L2 (mm)	S1	S3
VM 04 LL	LL	PN 100	4	M 8 x 1 K	8	26,0	16,0	11	10
VM 04 LL 10	LL	PN 100	4	M 10 x 1 K	8	26,0	16,0	11	10
VM 04 LL 6	LL	PN 100	4	M 6 x 1 K	8	27,0	16,0	10	10
VM 05 LL	LL	PN 100	5	M 8 x 1 K	8	26,0	14,5	11	12
VM 06 LL	LL	PN 100	6	M 10 x 1 K	8	26,0	14,5	11	12
VM 06 LL 6	LL	PN 100	6	M 6 x 1 K	8	27,5	14,5	11	12
VM 06 LL 8	LL	PN 100	6	M 8 x 1 K	8	26,0	14,5	11	12
VM 08 LL	LL	PN 100	8	M 10 x 1 K	8	28,0	16,5	12	14
VM 12 LL	LL	PN 100	12	M 16 x 1,5 K	12	32,0	20,0	17	19
VMK NW 04 HL	L	PN 315	6	M 10 x 1 K	10	23,0	17,0	12	14
VMK NW 06 HL	L	PN 315	8	M 12 x 1,5 K	12	25,0	20,0	17	17
VMK NW 08 HL	L	PN 315	10	M 14 x 1,5 K	12	26,0	21,0	17	19
VMK NW 10 HL	L	PN 315	12	M 16 x 1,5 K	12	27,0	22,0	19	22
VMK NW 13 HL	L	PN 315	15	M 18 x 1,5 K	12	29,0	23,0	24	27
VMK NW 16 HL	L	PN 315	18	M 22 x 1,5 K	14	31,0	25,5	27	32
VMK NW 20 HL	L	PN 160	22	M 26 x 1,5 k	18	33,0	31,5	32	36
VMK NW 25 HL	L	PN 160	28	M 33 x 2 K	20	34,0	34,5	41	41
VMK NW 32 HL	L	PN 160	35	M 42 x 2 K	21	39,0	35,5	46	50
VMK NW 40 HL	L	PN 160	42	M 48 x 2 K	22	42,0	38,0	55	60
VMK NW 03 HS	S	PN 630	6	M 12 x 1,5 K	12	40,0	24,0	17	17
VMK NW 04 HS	S	PN 630	8	M 14 x 1,5 K	12	42,0	25,0	17	19
VMK NW 06 HS	S	PN 630	10	M 16 x 1,5 K	12	43,0	24,5	19	22
VMK NW 08 HS	S	PN 630	12	M 18 x 1,5 K	12	45,0	26,5	22	24
VMK NW 10 HS	S	PN 630	14	M 20 x 1,5 K	14	51,0	30,0	24	27
VMK NW 13 HS	S	PN 400	16	M 22 x 1,5 K	14	51,0	31,5	27	30
VMK NW 16 HS	S	PN 400	20	M 27 x 2 K	18	60,0	35,5	32	36
VMK NW 20 HS	S	PN 400	25	M 33 x 2 K	20	67,0	38,0	41	46
VMK NW 25 HS	S	PN 400	30	M 42 x 2 K	21	71,0	40,5	56	50
VMK NW 32 HS	S	PN 315	38	M 48 x 2 K	22	79,0	44,0	55	60

Seriya: LL = veoma lako L = lako S = teško - PN = nominalni pritisak PB = maks. radni pritisak - Ø = spoljni prečnik cevi

Varijante proizvoda

VMK MG	Uvrtni navojni spoj, Mesing
VMK VA	Uvrtni navojni spoj, plemeniti čelik
XVMK	Uvrtni navojni spoj, čelik