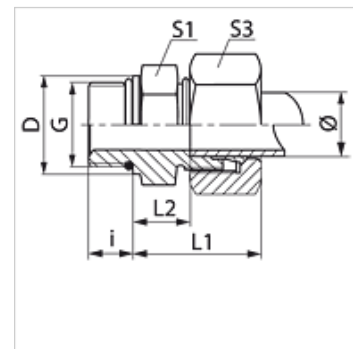


Osobine

| | |
|---------------------------|---|
| Priključak 1 | metrički spoljni cilindrični navoj |
| Oblik zaptivke 1 | oblik F |
| Priključak 2 | metrički spoljni cilindrični navoj |
| Oblik zaptivke 2 | 24° unutrašnji konus |
| Konstrukcija | Uvrtni navojni spoj |
| Konstrukcija | pravo |
| Norma | ISO 8434-1 |
| Obim isporuke | Nastavak sa preklopnom navrtkom i reznim prstenom |
| Materijal | čelik |
| Površinska zaštita | galvanska prevlaka |



Napomena

Molimo Vas da napomene za montažu, ugradnju, opterećenje pod pritiskom i dozvoljene radne temperature nađete u tehničkim informacijama o navojnim spojevima za cevi.

Artikal

| Naziv | Seriya | Radni pritisak bar | Cev spolja Ø (mm) | G | D (mm) | i (mm) | L1 (mm) | L2 (mm) | S1 | S3 | OR |
|-----------------|--------|--------------------|-------------------|------------|--------|--------|---------|---------|----|----|--------------|
| VMO 04 LL | LL | PN 100 | 4 | M 8 x 1 | 10,8 | 6,5 | 19,0 | 9,5 | 11 | 10 | 6,1 x 1,6 |
| VMO 04 LL 10 | LL | PN 100 | 4 | M 10 x 1 | 12,8 | 6,5 | 19,0 | 9,5 | 13 | 10 | 8,0 x 1,5 |
| VMO 06 LL | LL | PN 100 | 6 | M 10 x 1 | 12,8 | 6,5 | 19,5 | 8,0 | 13 | 12 | 8,0 x 1,5 |
| VMO NW 04 HL | L | PN 250 | 6 | M 10 x 1 | 14,0 | 8,0 | 23,0 | 8,5 | 14 | 14 | 8,0 x 1,5 |
| VMO NW 06 HL | L | PN 250 | 8 | M 12 x 1,5 | 17,0 | 12,0 | 25,0 | 10,0 | 17 | 17 | 9,3 x 2,4 |
| VMO NW 08 HL | L | PN 250 | 10 | M 14 x 1,5 | 19,0 | 12,0 | 26,0 | 11,0 | 19 | 19 | 11,3 x 2,4 |
| VMO NW 10 HL | L | PN 250 | 12 | M 16 x 1,5 | 22,0 | 12,0 | 27,0 | 12,5 | 22 | 22 | 13,3 x 2,4 |
| VMO NW 13 HL | L | PN 250 | 15 | M 18 x 1,5 | 24,0 | 12,0 | 29,0 | 13,5 | 24 | 27 | 15,3 x 2,4 |
| VMO NW 16 HL | L | PN 160 | 18 | M 22 x 1,5 | 27,0 | 14,0 | 32,0 | 14,5 | 27 | 32 | 19,3 x 2,4 |
| VMO NW 20 HL | L | PN 160 | 22 | M 26 x 1,5 | 31,0 | 16,0 | 34,0 | 16,5 | 32 | 36 | 23,3 x 2,4 |
| VMO NW 20 HL 27 | L | PN 160 | 22 | M 27 x 2 | 32,0 | 16,0 | 33,0 | 16,5 | 32 | 36 | 23,6 x 2,9 |
| VMO NW 25 HL | L | PN 100 | 28 | M 33 x 2 | 41,0 | 18,0 | 34,0 | 17,5 | 41 | 41 | 29,5 x 3,0 |
| VMO NW 32 HL | L | PN 100 | 35 | M 42 x 2 | 50,0 | 20,0 | 39,0 | 17,5 | 50 | 50 | 38,0 x 3,0 |
| VMO NW 40 HL | L | PN 160 | 42 | M 48 x 2 | 55,0 | 17,5 | 42,0 | 19,0 | 55 | 60 | 44,60 x 3,00 |
| VMO NW 03 HS | S | PN 630 | 6 | M 12 x 1,5 | 17,0 | 12,0 | 28,0 | 13,0 | 17 | 17 | 9,3 x 2,4 |
| VMO NW 04 HS | S | PN 630 | 8 | M 14 x 1,5 | 19,0 | 12,0 | 30,0 | 15,0 | 19 | 19 | 11,3 x 2,4 |
| VMO NW 06 HS | S | PN 630 | 10 | M 16 x 1,5 | 22,0 | 12,0 | 31,0 | 15,0 | 22 | 22 | 13,3 x 2,4 |
| VMO NW 08 HS | S | PN 630 | 12 | M 18 x 1,5 | 24,0 | 12,0 | 33,0 | 17,0 | 24 | 24 | 15,3 x 2,4 |
| VMO NW 13 HS | S | PN 400 | 16 | M 22 x 1,5 | 27,0 | 14,0 | 37,0 | 18,5 | 27 | 30 | 19,3 x 2,4 |
| VMO NW 16 HS | S | PN 400 | 20 | M 27 x 2 | 32,0 | 16,0 | 41,0 | 20,5 | 32 | 36 | 23,5 x 3,0 |
| VMO NW 20 HS | S | PN 400 | 25 | M 33 x 2 | 41,0 | 18,0 | 47,0 | 23,0 | 41 | 46 | 29,5 x 3,0 |
| VMO NW 25 HS | S | PN 250 | 30 | M 42 x 2 | 50,0 | 20,0 | 50,0 | 23,5 | 50 | 50 | 38,0 x 3,0 |
| VMO NW 32 HS | S | PN 315 | 38 | M 48 x 2 | 55,0 | 21,5 | 57,0 | 26,0 | 55 | 60 | 44,6 x 2,9 |

Seriya: LL = veoma lako L = lako S = teško - PN = nominalni pritisak PB = maks. radni pritisak - Ø = spoljni prečnik cevi

Varijante proizvoda

XVMO