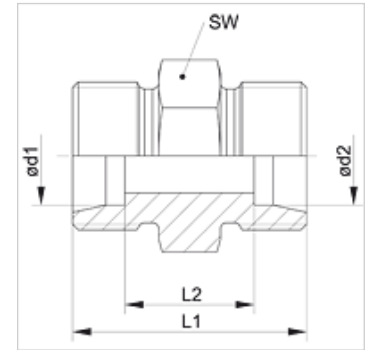


Osobine

| | |
|------------------|---|
| Priključak 1 | metrički spoljni cilindrični navoj |
| Oblik zaptivke 1 | 24° unutrašnji konus |
| Priključak 2 | metrički spoljni cilindrični navoj |
| Oblik zaptivke 2 | 24° unutrašnji konus |
| Konstrukcija | Navojni spoj |
| Konstrukcija | pravo |
| Norma | ISO 8434-1 |
| Obim isporuke | Nastavak (bez preklopne navrtke i reznog prstena) |
| Materijal | plemeniti čelik |



Napomena

Molimo Vas da napomene za montažu, ugradnju, opterećenje pod pritiskom i dozvoljene radne temperature nađete u tehničkim informacijama o navojnim spojevima za cevi.

Artikal

| Naziv | Serijska | Radni pritisak bar | Ø d1 (mm) | Ø d2 (mm) | L1 (mm) | L2 (mm) | SW (mm) |
|-------------------|----------|--------------------|-----------|-----------|---------|---------|---------|
| XV 04 LL VA | LL | PN 100 | 4 | 4 | 20,0 | 12,0 | 9 |
| XV 06 LL 04 VA | LL | PN 100 | 6 | 4 | 20,0 | 10,5 | 11 |
| XV 06 LL VA | LL | PN 100 | 6 | 6 | 20,0 | 9,0 | 11 |
| XV 08 LL 04 VA | LL | PN 100 | 8 | 4 | 22,0 | 12,5 | 12 |
| XV 08 LL 06 VA | LL | PN 100 | 8 | 6 | 22,0 | 11,0 | 12 |
| XV 08 LL VA | LL | PN 100 | 8 | 8 | 23,0 | 12,0 | 12 |
| XV NW 04 HL VA | L | PN 315 | 6 | 6 | 24,0 | 10,0 | 12 |
| XV NW 06 HL 04 VA | L | PN 315 | 8 | 6 | 25,0 | 11,0 | 14 |
| XV NW 06 HL VA | L | PN 315 | 8 | 8 | 25,0 | 11,0 | 14 |
| XV NW 08 HL 04 VA | L | PN 315 | 10 | 6 | 26,0 | 12,0 | 17 |
| XV NW 08 HL 06 VA | L | PN 315 | 10 | 8 | 26,0 | 12,0 | 17 |
| XV NW 08 HL VA | L | PN 315 | 10 | 10 | 27,0 | 13,0 | 17 |
| XV NW 10 HL 04 VA | L | PN 315 | 12 | 6 | 27,0 | 13,0 | 19 |
| XV NW 10 HL 06 VA | L | PN 315 | 12 | 8 | 27,0 | 13,0 | 19 |
| XV NW 10 HL 08 VA | L | PN 315 | 12 | 10 | 28,0 | 14,0 | 19 |
| XV NW 10 HL VA | L | PN 315 | 12 | 12 | 28,0 | 14,0 | 19 |
| XV NW 13 HL 04 VA | L | PN 315 | 15 | 6 | 28,0 | 14,0 | 24 |
| XV NW 13 HL 06 VA | L | PN 315 | 15 | 8 | 28,0 | 14,0 | 24 |
| XV NW 13 HL 08 VA | L | PN 315 | 15 | 10 | 29,0 | 15,0 | 24 |
| XV NW 13 HL 10 VA | L | PN 315 | 15 | 12 | 29,0 | 15,0 | 24 |
| XV NW 13 HL VA | L | PN 315 | 15 | 15 | 30,0 | 16,0 | 24 |
| XV NW 16 HL 06 VA | L | PN 315 | 18 | 8 | 29,0 | 14,5 | 27 |
| XV NW 16 HL 08 VA | L | PN 315 | 18 | 10 | 30,0 | 15,5 | 27 |
| XV NW 16 HL 10 VA | L | PN 315 | 18 | 12 | 30,0 | 15,5 | 27 |
| XV NW 16 HL 13 VA | L | PN 315 | 18 | 15 | 31,0 | 16,5 | 27 |
| XV NW 16 HL VA | L | PN 315 | 18 | 18 | 31,0 | 16,0 | 27 |
| XV NW 20 HL 08 VA | L | PN 160 | 22 | 10 | 32,0 | 17,5 | 32 |
| XV NW 20 HL 10 VA | L | PN 160 | 22 | 12 | 32,0 | 17,5 | 32 |
| XV NW 20 HL 13 VA | L | PN 160 | 22 | 15 | 33,0 | 18,5 | 32 |
| XV NW 20 HL 16 VA | L | PN 160 | 22 | 18 | 33,0 | 18,0 | 32 |
| XV NW 20 HL VA | L | PN 160 | 22 | 22 | 35,0 | 20,0 | 32 |
| XV NW 25 HL 08 VA | L | PN 160 | 28 | 10 | 34,0 | 19,5 | 41 |
| XV NW 25 HL 10 VA | L | PN 160 | 28 | 12 | 34,0 | 19,5 | 41 |
| XV NW 25 HL 13 VA | L | PN 160 | 28 | 15 | 35,0 | 20,5 | 41 |
| XV NW 25 HL 16 VA | L | PN 160 | 28 | 18 | 35,0 | 20,0 | 41 |
| XV NW 25 HL 20 VA | L | PN 160 | 28 | 22 | 37,0 | 22,0 | 41 |
| XV NW 25 HL VA | L | PN 160 | 28 | 28 | 36,0 | 21,0 | 41 |
| XV NW 32 HL 13 VA | L | PN 160 | 35 | 15 | 37,0 | 19,5 | 46 |
| XV NW 32 HL 16 VA | L | PN 160 | 35 | 18 | 37,0 | 19,0 | 46 |
| XV NW 32 HL 20 VA | L | PN 160 | 35 | 22 | 39,0 | 21,0 | 46 |
| XV NW 32 HL 25 VA | L | PN 160 | 35 | 28 | 39,0 | 21,0 | 46 |
| XV NW 32 HL VA | L | PN 160 | 35 | 35 | 41,0 | 20,0 | 46 |
| XV NW 40 HL 13 VA | L | PN 160 | 42 | 15 | 39,0 | 21,0 | 55 |



Artikal

| Naziv | Seriya | Radni pritisak bar | Ø d1 (mm) | Ø d2 (mm) | L1 (mm) | L2 (mm) | SW (mm) |
|-------------------|--------|--------------------|-----------|-----------|---------|---------|---------|
| XV NW 40 HL 16 VA | L | PN 160 | 42 | 18 | 39,0 | 21,5 | 55 |
| XV NW 40 HL 20 VA | L | PN 160 | 42 | 22 | 39,5 | 21,0 | 55 |
| XV NW 40 HL 25 VA | L | PN 160 | 42 | 28 | 41,0 | 22,5 | 55 |
| XV NW 40 HL 32 VA | L | PN 160 | 42 | 35 | 43,0 | 21,5 | 55 |
| XV NW 40 HL VA | L | PN 160 | 42 | 42 | 66,0 | 21,0 | 55 |
| XV NW 03 HS VA | S | PN 630 | 6 | 6 | 30,0 | 16,0 | 14 |
| XV NW 04 HS 03 VA | S | PN 630 | 8 | 6 | 32,0 | 18,0 | 17 |
| XV NW 04 HS VA | S | PN 630 | 8 | 8 | 32,0 | 18,0 | 17 |
| XV NW 06 HS 03 VA | S | PN 630 | 10 | 6 | 32,0 | 17,5 | 19 |
| XV NW 06 HS 04 VA | S | PN 630 | 10 | 8 | 32,0 | 17,5 | 19 |
| XV NW 06 HS VA | S | PN 630 | 10 | 10 | 32,0 | 17,0 | 19 |
| XV NW 08 HS 03 VA | S | PN 630 | 12 | 6 | 34,0 | 19,5 | 22 |
| XV NW 08 HS 04 VA | S | PN 630 | 12 | 8 | 34,0 | 19,5 | 22 |
| XV NW 08 HS 06 VA | S | PN 630 | 12 | 10 | 34,0 | 19,0 | 22 |
| XV NW 08 HS VA | S | PN 630 | 12 | 12 | 34,0 | 19,0 | 22 |
| XV NW 10 HS 03 VA | S | PN 630 | 14 | 6 | 36,0 | 21,0 | 24 |
| XV NW 10 HS 04 VA | S | PN 630 | 14 | 8 | 36,0 | 21,0 | 24 |
| XV NW 10 HS 06 VA | S | PN 630 | 14 | 10 | 36,0 | 20,5 | 24 |
| XV NW 10 HS 08 VA | S | PN 630 | 14 | 12 | 36,0 | 20,5 | 24 |
| XV NW 10 HS VA | S | PN 630 | 14 | 14 | 38,0 | 22,0 | 24 |
| XV NW 13 HS 03 VA | S | PN 400 | 16 | 6 | 36,0 | 20,5 | 27 |
| XV NW 13 HS 04 VA | S | PN 400 | 16 | 8 | 36,0 | 20,5 | 27 |
| XV NW 13 HS 06 VA | S | PN 400 | 16 | 10 | 36,0 | 20,0 | 27 |
| XV NW 13 HS 08 VA | S | PN 400 | 16 | 12 | 36,0 | 20,0 | 27 |
| XV NW 13 HS 10 VA | S | PN 400 | 16 | 14 | 38,0 | 21,5 | 27 |
| XV NW 13 HS VA | S | PN 400 | 16 | 16 | 38,0 | 21,0 | 27 |
| XV NW 16 HS 03 VA | S | PN 400 | 20 | 6 | 40,0 | 22,5 | 32 |
| XV NW 16 HS 04 VA | S | PN 400 | 20 | 8 | 40,0 | 22,5 | 32 |
| XV NW 16 HS 06 VA | S | PN 400 | 20 | 10 | 40,0 | 22,0 | 32 |
| XV NW 16 HS 08 VA | S | PN 400 | 20 | 12 | 40,0 | 22,0 | 32 |
| XV NW 16 HS 10 VA | S | PN 400 | 20 | 14 | 42,0 | 23,5 | 32 |
| XV NW 16 HS 13 VA | S | PN 400 | 20 | 16 | 42,0 | 23,0 | 32 |
| XV NW 16 HS VA | S | PN 400 | 20 | 20 | 44,0 | 23,0 | 32 |
| XV NW 20 HS 04 VA | S | PN 400 | 25 | 8 | 44,0 | 25,0 | 41 |
| XV NW 20 HS 06 VA | S | PN 400 | 25 | 10 | 44,0 | 24,5 | 41 |
| XV NW 20 HS 08 VA | S | PN 400 | 25 | 12 | 44,0 | 24,5 | 41 |
| XV NW 20 HS 10 VA | S | PN 400 | 25 | 14 | 46,0 | 26,0 | 41 |
| XV NW 20 HS 13 VA | S | PN 400 | 25 | 16 | 46,0 | 25,5 | 41 |
| XV NW 20 HS 16 VA | S | PN 400 | 25 | 20 | 48,0 | 25,5 | 41 |
| XV NW 20 HS VA | S | PN 400 | 25 | 25 | 50,0 | 26,0 | 41 |
| XV NW 25 HS 06 VA | S | PN 400 | 30 | 10 | 46,5 | 25,5 | 46 |
| XV NW 25 HS 08 VA | S | PN 400 | 30 | 12 | 46,0 | 25,0 | 46 |
| XV NW 25 HS 10 VA | S | PN 400 | 30 | 14 | 48,0 | 26,5 | 46 |
| XV NW 25 HS 13 VA | S | PN 400 | 30 | 16 | 48,0 | 26,0 | 46 |
| XV NW 25 HS 16 VA | S | PN 400 | 30 | 20 | 50,0 | 26,0 | 46 |
| XV NW 25 HS 20 VA | S | PN 400 | 30 | 25 | 52,0 | 26,5 | 46 |
| XV NW 25 HS VA | S | PN 400 | 30 | 30 | 54,0 | 27,0 | 46 |
| XV NW 32 HS 06 VA | S | PN 315 | 38 | 10 | 51,5 | 28,0 | 55 |
| XV NW 32 HS 08 VA | S | PN 315 | 38 | 12 | 51,0 | 27,5 | 55 |
| XV NW 32 HS 10 VA | S | PN 315 | 38 | 14 | 53,0 | 29,0 | 55 |
| XV NW 32 HS 13 VA | S | PN 315 | 38 | 16 | 53,0 | 28,5 | 55 |
| XV NW 32 HS 16 VA | S | PN 315 | 38 | 20 | 55,0 | 28,5 | 55 |
| XV NW 32 HS 20 VA | S | PN 315 | 38 | 25 | 57,0 | 29,0 | 55 |
| XV NW 32 HS 25 VA | S | PN 315 | 38 | 30 | 59,0 | 29,5 | 55 |
| XV NW 32 HS VA | S | PN 315 | 38 | 38 | 61,0 | 29,0 | 55 |

Seriya: LL = veoma lako L = lako S = teško - PN = nominalni pritisak PB = maks. radni pritisak - Ø d1 = spoljni prečnik cevi - Ø d2 = spoljni prečnik cevi

Varijante proizvoda

| | |
|-----------------------------|-------------------------------|
| XV | Navojni spoj, čelik |
| V-LL VA / V-HL VA / V-HS VA | Navojni spoj, plemeniti čelik |