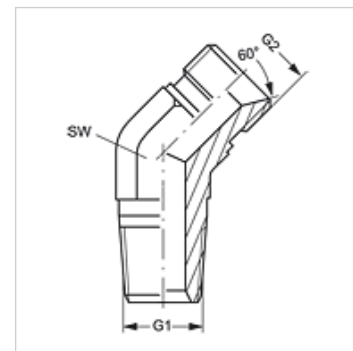


W45 HRK HB

Uvrtni nastavak, ugao 45°

Osobine

Priključak 1	BSP spoljni konusni navoj
Oblik zaptivke 1	zaptivanje preko navoja
Priključak 2	BSP spoljni cilindrični navoj
Oblik zaptivke 2	60° unutrašnji konus
Konstrukcija	Uvrtni navojni nastavak
Konstrukcija	ugao 45°
Materijal	čelik
Površinska zaštita	galvanska prevlaka



Artikal

Naziv	G1	G2	SW (mm)
W45 HRK 04 HB	R 1/4" K	G 1/4" -19	14
W45 HRK 04 HB 06	R 1/4" K	G 3/8" -19	19
W45 HRK 06 HB 04	R 3/8" K	G 1/4" -19	19
W45 HRK 06 HB	R 3/8" K	G 3/8" -19	19
W45 HRK 06 HB 08	R 3/8" K	G 1/2" -14	22
W45 HRK 08 HB 06	R 1/2" K	G 3/8" -19	22
W45 HRK 08 HB	R 1/2" K	G 1/2" -14	22
W45 HRK 08 HB 12	R 1/2" K	G 3/4" -14	27
W45 HRK 12 HB 08	R 3/4" K	G 1/2" -14	27
W45 HRK 12 HB	R 3/4" K	G 3/4" -14	27
W45 HRK 12 HB 16	R 3/4" K	G 1" -11	33
W45 HRK 16 HB 12	R 1" K	G 3/4" -14	33
W45 HRK 16 HB	R 1" K	G 1" -11	33
W45 HRK 16 HB 20	R 1" K	G 1.1/4" -11	41
W45 HRK 20 HB 16	R 1.1/4" K	G 1" -11	41
W45 HRK 20 HB	R 1.1/4" K	G 1.1/4" -11	41
W45 HRK 20 HB 24	R 1.1/4" K	G 1.1/2" -11	48
W45 HRK 24 HB 20	R 1.1/2" K	G 1.1/4" -11	48
W45 HRK 24 HB	R 1.1/2" K	G 1.1/2" -11	48
W45 HRK 32 HB 24	R 2" K	G 1.1/2" -11	64
W45 HRK 32 HB	R 2" K	G 2" -11	64

SW = veličina ključa