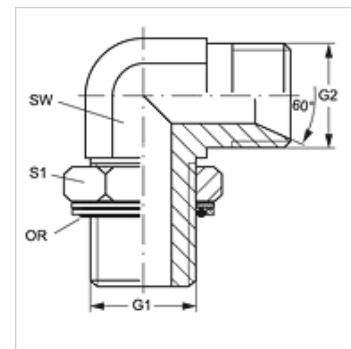


# W90 HROK HB

Uvrtni nastavak, ugao 90°

## Osobine

<b>Priključak 1</b>	BSP spoljni cilindrični navoj
<b>Oblik zaptivke 1</b>	Navojni nastavak sa O-prstenom + komorni prsten
<b>Priključak 2</b>	BSP spoljni cilindrični navoj
<b>Oblik zaptivke 2</b>	60° unutrašnji konus
<b>Konstrukcija</b>	Uvrtni navojni nastavak, podesiv po pravcima
<b>Konstrukcija</b>	ugao 90°
<b>Materijal</b>	čelik
<b>Površinska zaštita</b>	galvanska prevlaka



## Artikal

Naziv	G1	G2	SW (mm)	S1	OR
W90 HROK 02 HB	G 1/8" -28	G 1/8" -28	11	14	7,97 x 1,88
W90 HROK 04 HB 02	G 1/4" -19	G 1/8" -28	14	19	10,77 x 2,62
W90 HROK 04 HB	G 1/4" -19	G 1/4" -19	14	19	10,77 x 2,62
W90 HROK 04 HB 06	G 1/4" -19	G 3/8" -19	14	19	10,77 x 2,62
W90 HROK 06 HB 04	G 3/8" -19	G 1/4" -19	19	22	13,94 x 2,62
W90 HROK 06 HB	G 3/8" -19	G 3/8" -19	19	22	13,94 x 2,62
W90 HROK 06 HB 08	G 3/8" -19	G 1/2" -14	19	22	13,94 x 2,62
W90 HROK 08 HB 06	G 1/2" -14	G 3/8" -19	22	27	17,86 x 2,62
W90 HROK 08 HB	G 1/2" -14	G 1/2" -14	22	27	17,86 x 2,62
W90 HROK 08 HB 10	G 1/2" -14	G 5/8" -14	22	27	17,86 x 2,62
W90 HROK 08 HB 12	G 1/2" -14	G 3/4" -14	27	27	17,86 x 2,62
W90 HROK 12 HB 08	G 3/4" -14	G 1/2" -14	27	35	23,47 x 2,62
W90 HROK 12 HB	G 3/4" -14	G 3/4" -14	27	36	23,47 x 2,62
W90 HROK 12 HB 16	G 3/4" -14	G 1" -11	33	36	23,47 x 2,62
W90 HROK 16 HB 12	G 1" -11	G 3/4" -14	33	41	29,74 x 3,53
W90 HROK 16 HB	G 1" -11	G 1" -11	33	41	29,74 x 3,53
W90 HROK 20 HB 16	G 1.1/4" -11	G 1" -11	41	50	37,69 x 3,53
W90 HROK 20 HB	G 1.1/4" -11	G 1.1/4" -11	41	50	37,69 x 3,53
W90 HROK 24 HB	G 1.1/2" -11	G 1.1/2" -11	48	55	44,04 x 3,53

SW, S1, S2 = veličina klučka

## Rezervni delovi

**KAMMRING G** Komorni prsten, colovan