

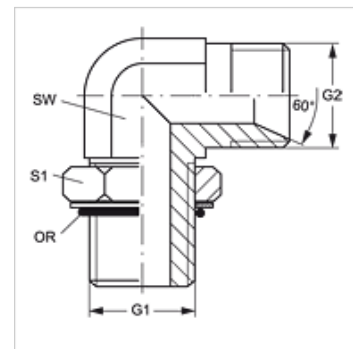
# W90 O HB

Uvrtni nastavak, AGR ugao 90°

**HANSA FLEX**

## Osobine

|                    |  |
|--------------------|--|
| Priključak 1       | UN/UNF spoljni navoj                               |
| Oblik zaptivke 1   | Zaptivanje O-prstenom na uvrtnom navojnom nastavku |
| Priključak 2       | BSP spoljni cilindrični navoj                      |
| Oblik zaptivke 2   | 60° unutrašnji konus                               |
| Konstrukcija       | Uvrtni navojni nastavak                            |
| Konstrukcija       | ugao 90°   |
| Materijal          | čelik  |
| Površinska zaštita | galvanska prevlaka                                 |



## Artikal

| Naziv          | G1             | G2           | SW<br>(mm) | S1 | OR           |
|----------------|----------------|--------------|------------|----|--------------|
| W90 O 04 HB 02 | 7/16" -20 UNF  | G 1/8" -28   | 11         | 17 | 8,92 x 1,83  |
| W90 O 04 HB    | 7/16" -20 UNF  | G 1/4" -19   | 11         | 17 | 8,92 x 1,83  |
| W90 O 04 HB 06 | 7/16" -20 UNF  | G 3/8" -19   | 14         | 17 | 8,92 x 1,83  |
| W90 O 05 HB 02 | 1/2" -20 UNF   | G 1/8" -28   | 14         | 19 | 10,52 x 1,83 |
| W90 O 05 HB 04 | 1/2" -20 UNF   | G 1/4" -19   | 14         | 19 | 10,52 x 1,83 |
| W90 O 06 HB 04 | 9/16" -18 UNF  | G 1/4" -19   | 14         | 21 | 11,90 x 1,98 |
| W90 O 06 HB    | 9/16" -18 UNF  | G 3/8" -19   | 14         | 21 | 11,90 x 1,98 |
| W90 O 08 HB 04 | 3/4" -16 UNF   | G 1/4" -19   | 19         | 25 | 16,36 x 2,20 |
| W90 O 08 HB 06 | 3/4" -16 UNF   | G 3/8" -19   | 19         | 25 | 16,36 x 2,20 |
| W90 O 08 HB    | 3/4" -16 UNF   | G 1/2" -14   | 19         | 25 | 16,36 x 2,20 |
| W90 O 08 HB 12 | 3/4" -16 UNF   | G 3/4" -14   | 22         | 25 | 16,36 x 2,20 |
| W90 O 10 HB 06 | 7/8" -14 UNF   | G 3/8" -19   | 22         | 30 | 19,18 x 2,46 |
| W90 O 10 HB 08 | 7/8" -14 UNF   | G 1/2" -14   | 22         | 30 | 19,18 x 2,46 |
| W90 O 10 HB    | 7/8" -14 UNF   | G 5/8" -14   | 22         | 30 | 19,18 x 2,46 |
| W90 O 10 HB 12 | 7/8" -14 UNF   | G 3/4" -14   | 22         | 30 | 19,18 x 2,46 |
| W90 O 12 HB 08 | 1.1/16" -12 UN | G 1/2" -14   | 27         | 36 | 23,47 x 2,95 |
| W90 O 12 HB    | 1.1/16" -12 UN | G 3/4" -14   | 27         | 36 | 23,47 x 2,95 |
| W90 O 12 HB 16 | 1.1/16" -12 UN | G 1" -11     | 33         | 36 | 23,47 x 2,95 |
| W90 O 16 HB 12 | 1.5/16" -12 UN | G 3/4" -14   | 33         | 45 | 29,74 x 2,95 |
| W90 O 16 HB    | 1.5/16" -12 UN | G 1" -11     | 33         | 45 | 29,74 x 2,95 |
| W90 O 16 HB 20 | 1.5/16" -12 UN | G 1.1/4" -11 | 41         | 45 | 29,74 x 2,95 |
| W90 O 20 HB 16 | 1.5/8" -12 UN  | G 1" -11     | 41         | 55 | 37,47 x 3,00 |
| W90 O 20 HB    | 1.5/8" -12 UN  | G 1.1/4" -11 | 41         | 55 | 37,47 x 3,00 |

SW, S1, S2 = veličina klijuča