

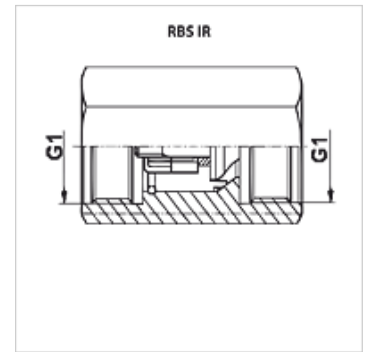
# RBS IR

Osiguranje od prekida cevi IR

**HANSA FLEX**

## Osobine

|                |                |
|----------------|----------------|
| Materijal      | čelik          |
| Radni pritisak | maks. 400 bara |



## Artikal

| Naziv            | Radni pritisak (bar) | G1         | Količina zatvaranja (L/min) | Težina (kg) |
|------------------|----------------------|------------|-----------------------------|-------------|
| RBS 06-20 IR 10  | 400,0                | G 3/8" -19 | 20                          | 0,10        |
| RBS 06-40 IR 10  | 400,0                | G 3/8" -19 | 40                          | 0,10        |
| RBS 10-40 IR 13  | 315,0                | G 1/2" -14 | 40                          | 0,16        |
| RBS 10-63 IR 13  | 315,0                | G 1/2" -14 | 63                          | 0,17        |
| RBS 10-90 IR 13  | 315,0                | G 1/2" -14 | 90                          | 0,17        |
| RBS 16-200 IR 25 | 250,0                | G 1" -11   | 200                         | 0,35        |