

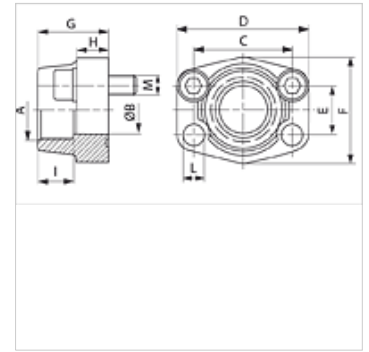
# AFS N U (3000 / 6000 PSI)

SAE uvrtna navojna prirubnica, NPT

**HANSA FLEX**

## Osobine

|                           |   |
|---------------------------|---|
| <b>Norma</b>              | SAE J 518 C<br>ISO 6162                   |
| <b>Konstrukcija</b>       | pravo                                     |
| <b>Konstrukcija</b>       | SAE uvrtni navojna spojnica               |
| <b>Pričvršćivanje</b>     | Otvor za zavrtanj                         |
| <b>Obim isporuke</b>      | sa UNC kompletom zavrtnejeva i O-prstenom |
| <b>Materijal</b>          | S355J2G3 (ST52.3)                         |
| <b>Površinska zaštita</b> | crno nauljen                              |



## Napomena

Navedeni maksimalni radni pritisak odnosi se na prirubnicu! Stvarni radni pritisak se određuje na osnovu cevi (debljina zida) kao i kvaliteta cevi!

## Artikal

| Naziv             | red pritiska | PB 10.9 (bar) | Konstrukciona veličina | A          | Ø B  | C     | D    | E    | F    | G    | H    | I    | L    | M col          |
|-------------------|--------------|---------------|------------------------|------------|------|-------|------|------|------|------|------|------|------|----------------|
|                   |              |               |                        |            | (mm) | (mm)  | (mm) | (mm) | (mm) | (mm) | (mm) | (mm) | (mm) |                |
| AFS 80 N 1/2 U    | 3000 PSI     | 350           | 1/2"                   | NPT 1/2"   | 13   | 38,1  | 54   | 17,5 | 46   | 36   | 16   | 19   | 9,0  | 5/16" x 1.1/4" |
| AFS 80 N 3/8 U    | 3000 PSI     | 350           | 1/2"                   | NPT 3/8"   | 13   | 38,1  | 54   | 17,5 | 46   | 36   | 16   | 19   | 9,0  | 5/16" x 1.1/4" |
| AFS 100 N 1/2 U   | 3000 PSI     | 350           | 3/4"                   | NPT 1/2"   | 13   | 47,6  | 65   | 22,2 | 50   | 36   | 18   | 19   | 11,0 | 3/8" x 1.1/2"  |
| AFS 100 N 3/4 U   | 3000 PSI     | 350           | 3/4"                   | NPT 3/4"   | 19   | 47,6  | 65   | 22,2 | 50   | 36   | 18   | 19   | 11,0 | 3/8" x 1.1/2"  |
| AFS 102 N 3/4 U   | 3000 PSI     | 315           | 1"                     | NPT 3/4"   | 19   | 52,4  | 70   | 26,2 | 55   | 35   | 21   | 19   | 11,0 | 3/8" x 1.1/2"  |
| AFS 102 N 1 U     | 3000 PSI     | 315           | 1"                     | NPT 1"     | 25   | 52,4  | 70   | 26,2 | 55   | 38   | 18   | 22   | 11,0 | 3/8" x 1.1/2"  |
| AFS 104 N 1 U     | 3000 PSI     | 250           | 1.1/4"                 | NPT 1"     | 25   | 58,7  | 81   | 30,2 | 65   | 42   | 25   | 22   | 11,5 | 7/16" x 1.1/2" |
| AFS 104 N 1 1/4 U | 3000 PSI     | 250           | 1.1/4"                 | NPT 1.1/4" | 32   | 58,7  | 79   | 30,2 | 68   | 41   | 21   | 22   | 11,5 | 7/16" x 1.1/2" |
| AFS 106 N 1 1/4 U | 3000 PSI     | 200           | 1.1/2"                 | NPT 1.1/4" | 32   | 69,9  | 95   | 35,7 | 78   | 45   | 27   | 24   | 13,5 | 1/2" x 1.3/4"  |
| AFS 106 N 1 1/2 U | 3000 PSI     | 200           | 1.1/2"                 | NPT 1.1/2" | 38   | 69,9  | 93   | 35,7 | 78   | 45   | 25   | 24   | 13,5 | 1/2" x 1.3/4"  |
| AFS 108 N 1 1/2 U | 3000 PSI     | 200           | 2"                     | NPT 1.1/2" | 38   | 77,8  | 102  | 42,9 | 90   | 45   | 25   | 26   | 13,5 | 1/2" x 1.3/4"  |
| AFS 108 N 2 U     | 3000 PSI     | 200           | 2"                     | NPT 2"     | 51   | 77,8  | 102  | 42,9 | 90   | 45   | 25   | 30   | 13,5 | 1/2" x 1.3/4"  |
| AFS 110 N 2 1/2 U | 3000 PSI     | 160           | 2.1/2"                 | NPT 2.1/2" | 63   | 88,9  | 114  | 50,8 | 105  | 50   | 25   | 30   | 13,5 | 1/2" x 1.3/4"  |
| AFS 112 N U       | 3000 PSI     | 138           | 3"                     | NPT 3"     | 73   | 106,4 | 134  | 61,9 | 124  | 50   | 27   | 34   | 17,5 | 5/8" x 2"      |
| AFS 114 N U       | 3000 PSI     | 35            | 3.1/2"                 | NPT 3.1/2" | 89   | 120,7 | 152  | 69,9 | 136  | 48   | 27   | 34   | 17,5 | 5/8" x 2"      |
| AFS 116 N U       | 3000 PSI     | 35            | 4"                     | NPT 4"     | 99   | 130,2 | 162  | 77,8 | 146  | 48   | 27   | 34   | 17,5 | 5/8" x 2"      |
| AFS 401 N U       | 6000 PSI     | 400           | 1/2"                   | NPT 1/2"   | 13   | 40,5  | 54   | 18,2 | 46   | 36   | 16   | 19   | 9,0  | 5/16" x 1.1/4" |
| AFS 401 N 3/8 U   | 6000 PSI     | 400           | 1/2"                   | NPT 3/8"   | 13   | 40,5  | 54   | 18,2 | 46   | 36   | 16   | 19   | 9,0  | 5/16" x 1.1/4" |
| AFS 402 N U       | 6000 PSI     | 400           | 3/4"                   | NPT 3/4"   | 19   | 50,8  | 71   | 23,8 | 55   | 35   | 21   | 22   | 11,0 | 3/8" x 1.1/2"  |
| AFS 402 N 1/2 U   | 6000 PSI     | 400           | 3/4"                   | NPT 1/2"   | 13   | 50,8  | 71   | 23,8 | 55   | 35   | 21   | 22   | 11,0 | 3/8" x 1.1/2"  |
| AFS 403 N U       | 6000 PSI     | 400           | 1"                     | NPT 1"     | 25   | 57,2  | 81   | 27,8 | 65   | 42   | 25   | 24   | 13,0 | 7/16" x 1.3/4" |
| AFS 403 N 3/4 U   | 6000 PSI     | 400           | 1"                     | NPT 3/4"   | 19   | 57,2  | 81   | 27,8 | 65   | 42   | 25   | 24   | 13,0 | 7/16" x 1.3/4" |
| AFS 404 N U       | 6000 PSI     | 400           | 1.1/4"                 | NPT 1.1/4" | 32   | 66,7  | 95   | 31,8 | 78   | 45   | 27   | 25   | 13,5 | 1/2" x 1.3/4"  |
| AFS 404 N 1 U     | 6000 PSI     | 400           | 1.1/4"                 | NPT 1"     | 25   | 66,7  | 95   | 31,8 | 78   | 45   | 27   | 25   | 13,5 | 1/2" x 1.3/4"  |
| AFS 405 N U       | 6000 PSI     | 400           | 1.1/2"                 | NPT 1.1/2" | 38   | 79,4  | 112  | 36,5 | 94   | 50   | 30   | 28   | 17,0 | 5/8" x 2"      |
| AFS 405 N 1 1/4 U | 6000 PSI     | 400           | 1.1/2"                 | NPT 1.1/4" | 32   | 79,4  | 112  | 36,5 | 94   | 50   | 30   | 28   | 17,0 | 5/8" x 2"      |
| AFS 406 N U       | 6000 PSI     | 400           | 2"                     | NPT 2"     | 51   | 96,8  | 134  | 44,5 | 114  | 65   | 37   | 30   | 21,0 | 3/4" x 2.1/2"  |
| AFS 406 N 1 1/2 U | 6000 PSI     | 400           | 2"                     | NPT 1.1/2" | 38   | 96,8  | 134  | 44,5 | 114  | 65   | 37   | 30   | 21,0 | 3/4" x 2.1/2"  |

PN = nominalni pritisak PB = maks. radni pritisak

## Varijante proizvoda

|                           |   |
|---------------------------|---|
| AFS N (3000 PSI)          | SAE uvrtna navojna prirubnica, NPT, samo prirubnica                                 |
| AFS N M (3000 / 6000 PSI) | SAE uvrtna navojna prirubnica, NPT, sa metričkim kompletom zavrtnejeva i O-prstenom |