

G VKS ST 400

Četvorougaona prirubnica Cetop, venac za zavarivanje

HANSA FLEX

Osobine

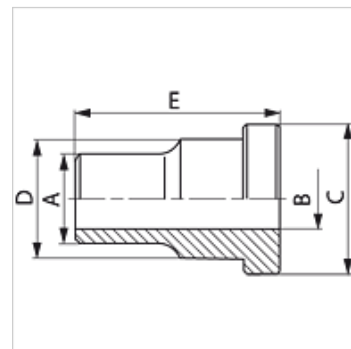
Konstrukcija Četvorougaona prirubnica Cetop

Konstrukcija pravo

Norma CETOP RP 63H
ISO 6164

Materijal S355J2G3 (ST52.3)

Površinska zaštita crno nauljen



Artikal

Naziv	Pritisak PB (bar)	Konstrukciona veličina	A (mm)	Ø B (mm)	C (mm)	D (mm)	E (mm)
G VKS 38 ST 400	400	3/8"	18	11,0	26,0	18	35
G VKS 12 ST 400	400	1/2"	22	14,0	31,8	24	40
G VKS 34 ST 400	400	3/4"	28	18,0	39,5	32	45
G VKS 1 ST 400	400	1"	35	22,0	47,6	38	50
G VKS 114 ST 400	400	1.1/4"	44	29,0	54,0	44	55
G VKS 112 ST 400	400	1.1/2"	51	35,0	63,5	51	60
G VKS 2 ST 400	400	2"	61	43,0	79,4	67	70
G VKS 212 ST 400	400	2.1/2"	80	53,0	94,2	60	80
G VKS 3 ST 400	400	3"	90	58,0	104,0	90	90
G VKS 312 ST 400	400	3.1/2"	102	63,0	119,0	102	90
G VKS 4 ST 400	400	4"	114	74,0	131,0	114	105

Serijska: LL = veoma lako L = lako S = teško - PN = nominalni pritisak PB = maks. radni pritisak