

SAE O-RING

SAE O-prsten

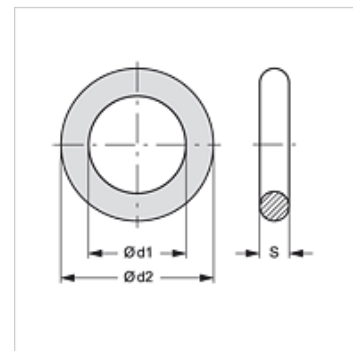
HANSA FLEX

Osobine

Konstrukcija SAE O-prsten

Norma SAE J518

Materijal NBR SH 90



Artikal

Naziv	Ø d1 (mm)	Ø d2 (mm)	S (mm)
SAE O-RING 1/2	18,66	25,72	3,53
SAE O-RING 3/4	25,00	32,06	3,53
SAE O-RING 1	32,92	39,98	3,53
SAE O-RING 1 1/4	37,70	44,76	3,53
SAE O-RING 1 1/2	47,22	54,28	3,53
SAE O-RING 2	56,75	63,81	3,53
SAE O-RING 2 1/2	69,45	76,51	3,53
SAE O-RING 3	85,32	92,38	3,53
SAE O-RING 3 1/2	98,02	105,08	3,53
SAE O-RING 4	110,72	117,78	3,53

Varijante proizvoda

SAE O-RING V SAE-O-prsten FKM, FKM SH 90 (viton)