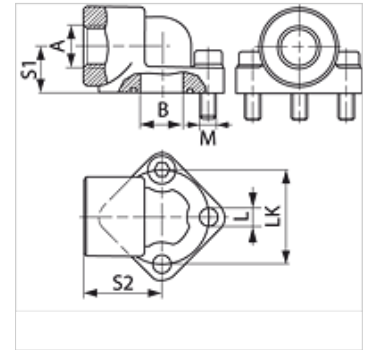


### Osobine

Konstrukcija	Priključak za pumpu (sa 3 otvora)
Konstrukcija	ugao 90°
Pričvršćivanje	sa metričkim kompletom zavrtnjeva
Obim isporuke	sa metričkim kompletom zavrtnjeva i O-prstenom
Materijal	Čelik ST 42.3
Površinska zaštita	galvanska prevlaka



### Artikal

Naziv	Pritisak PB (bar)	LK (mm)	A	B (mm)	S1 (mm)	S2 (mm)	L (mm)	Zavrtnji	OR
<b>WDS 0.5 12</b>	315	26	G 1/2" -14	11,0	17	24	5,3	(3 x) M 5 x 20	14,00 x 1,78
<b>WDS 0.5 38</b>	315	26	G 3/8" -19	11,0	17	24	5,3	(3 x) M 5 x 20	14,00 x 1,78
<b>WDS 1 12</b>	315	30	G 1/2" -14	12,0	17	24	6,3	(3 x) M 6 x 20	15,88 x 2,62
<b>WDS 1 38</b>	315	30	G 3/8" -19	12,0	17	24	6,3	(3 x) M 6 x 20	15,88 x 2,62
<b>WDS 2 12</b>	315	40	G 1/2" -14	19,0	21	36	8,5	(3 x) M 8 x 25	23,81 x 2,62
<b>WDS 2 34</b>	315	40	G 3/4" -14	19,0	21	36	8,5	(3 x) M 8 x 25	23,81 x 2,62
<b>WDS 3 100</b>	315	51	G 1" -11	24,0	26	45	10,5	(3 x) M 10 x 30	31,42 x 2,62
<b>WDS 3 34</b>	315	51	G 3/4" -14	26,0	26	45	10,5	(3 x) M 10 x 30	31,42 x 2,62
<b>WDS 3 B 100</b>	315	56	G 1" -11	26,0	26	45	10,5	(3 x) M 10 x 30	31,42 x 2,62
<b>WDS 3 B 34</b>	315	56	G 3/4" -14	26,0	26	45	10,5	(3 x) M 10 x 30	31,42 x 2,62

PN = nominalni pritisak PB = maks. radni pritisak