

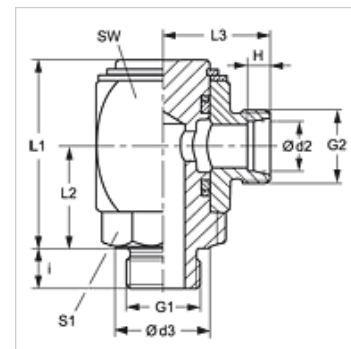
GVR 90 H

Zglobni navojni spoj, W90°, klizni ležaj

HANSA FLEX

Osobine

| | |
|-------------------------------|---|
| Priključak 1 | BSP spoljni cilindrični navoj |
| Oblik zaptivke 1 | Oblik E |
| Priključak 2 | metrički spoljni cilindrični navoj |
| Oblik zaptivke 2 | 24° unutrašnji konus |
| Konstrukcija | Zglobni navojni spoj (uvrtni navojni spoj) |
| Dodatak za vrstu konstrukciju | Klizni ležaj |
| Konstrukcija | ugao 90° |
| Obim isporuke | Nastavak (bez preklopne navrtke i reznog prstena) |
| Materijal | čelik |
| Površinska zaštita | galvanska prevlaka |



Napomena

Molimo Vas da napomene za montažu, ugradnju, opterećenje pod pritiskom i dozvoljene radne temperature nađete u tehničkim informacijama o navojnim spojevima za cevi.

Artikal

| Naziv | Seriya | Radni pritisak bar | Ø d2 (mm) | G1 | G2 | d3 (mm) | i (mm) | H (mm) | L1 (mm) | L2 (mm) | L3 (mm) | SW (mm) | S1 |
|-------------------------|--------|--------------------|-----------|--------------|------------|---------|--------|--------|---------|---------|---------|---------|----|
| GVR 90 NW 04 HL H | L | PN 250 | 6 | G 1/8" -28 | M 12 x 1,5 | 14 | 8 | 7,0 | 40 | 21 | 23 | 27 | 17 |
| GVR 90 NW 04 HL 1/4 H | L | PN 250 | 6 | G 1/4" -19 | M 12 x 1,5 | 19 | 12 | 7,0 | 41 | 22 | 23 | 27 | 19 |
| GVR 90 NW 06 HL H | L | PN 250 | 8 | G 1/4" -19 | M 14 x 1,5 | 19 | 12 | 7,0 | 46 | 25 | 25 | 30 | 22 |
| GVR 90 NW 08 HL H | L | PN 250 | 10 | G 1/4" -19 | M 16 x 1,5 | 19 | 12 | 7,0 | 46 | 25 | 26 | 30 | 22 |
| GVR 90 NW 08 HL 3/8 H | L | PN 250 | 10 | G 3/8" -19 | M 16 x 1,5 | 22 | 12 | 7,0 | 48 | 27 | 27 | 32 | 24 |
| GVR 90 NW 10 HL H | L | PN 250 | 12 | G 3/8" -19 | M 18 x 1,5 | 22 | 12 | 7,0 | 48 | 27 | 27 | 32 | 24 |
| GVR 90 NW 10 HL 1/2 H | L | PN 250 | 12 | G 1/2" -14 | M 18 x 1,5 | 27 | 14 | 7,0 | 55 | 30 | 29 | 36 | 27 |
| GVR 90 NW 13 HL H | L | PN 250 | 15 | G 1/2" -14 | M 22 x 1,5 | 27 | 14 | 7,0 | 59 | 33 | 32 | 40 | 32 |
| GVR 90 NW 16 HL H | L | PN 160 | 18 | G 1/2" -14 | M 26 x 1,5 | 27 | 14 | 7,5 | 59 | 33 | 32 | 40 | 32 |
| GVR 90 NW 16 HL 3/4 H | L | PN 160 | 18 | G 3/4" -14 | M 26 x 1,5 | 32 | 16 | 7,5 | 66 | 35 | 32 | 45 | 32 |
| GVR 90 NW 20 HL H | L | PN 160 | 22 | G 3/4" -14 | M 30 x 2 | 32 | 16 | 7,5 | 66 | 35 | 36 | 45 | 36 |
| GVR 90 NW 20 HL 1 H | L | PN 160 | 22 | G 1" -11 | M 30 x 2 | 40 | 18 | 7,5 | 78 | 41 | 36 | 55 | 36 |
| GVR 90 NW 25 HL H | L | PN 100 | 28 | G 1" -11 | M 36 x 2 | 40 | 18 | 7,5 | 78 | 41 | 41 | 55 | 41 |
| GVR 90 NW 32 HL 1 1/4 H | L | PN 100 | 35 | G 1.1/4" -11 | M 45 x 2 | 50 | 20 | 10,5 | 92 | 51 | 48 | 65 | 50 |
| GVR 90 NW 40 HL H | L | PN 100 | 42 | G 1.1/2" -11 | M 52 x 2 | 55 | 22 | 11,0 | 102 | 56 | 53 | 75 | 55 |
| GVR 90 NW 03 HS H | S | PN 400 | 6 | G 1/4" -19 | M 14 x 1,5 | 19 | 12 | 7,0 | 41 | 22 | 25 | 27 | 19 |
| GVR 90 NW 04 HS H | S | PN 400 | 8 | G 1/4" -19 | M 16 x 1,5 | 19 | 12 | 7,0 | 41 | 22 | 25 | 27 | 19 |
| GVR 90 NW 06 HS H | S | PN 400 | 10 | G 3/8" -19 | M 18 x 1,5 | 22 | 12 | 7,5 | 46 | 25 | 27 | 30 | 22 |
| GVR 90 NW 06 HS 1/4 H | S | PN 400 | 10 | G 1/4" -19 | M 18 x 1,5 | 19 | 12 | 7,5 | 41 | 22 | 27 | 27 | 22 |
| GVR 90 NW 08 HS H | S | PN 400 | 12 | G 3/8" -19 | M 20 x 1,5 | 22 | 12 | 7,5 | 48 | 27 | 28 | 32 | 24 |
| GVR 90 NW 08 HS 1/2 H | S | PN 400 | 12 | G 1/2" -14 | M 20 x 1,5 | 27 | 14 | 7,5 | 55 | 30 | 27 | 36 | 24 |
| GVR 90 NW 10 HS H | S | PN 400 | 14 | G 1/2" -14 | M 22 x 1,5 | 27 | 14 | 8,0 | 55 | 30 | 32 | 36 | 27 |
| GVR 90 NW 13 HS H | S | PN 400 | 16 | G 1/2" -14 | M 24 x 1,5 | 27 | 14 | 8,5 | 59 | 33 | 34 | 40 | 32 |
| GVR 90 NW 16 HS H | S | PN 250 | 20 | G 3/4" -14 | M 30 x 2 | 32 | 16 | 10,5 | 66 | 35 | 38 | 45 | 36 |
| GVR 90 NW 20 HS 3/4 H | S | PN 250 | 25 | G 3/4" -14 | M 36 x 2 | 32 | 16 | 12,0 | 66 | 35 | 45 | 55 | 41 |
| GVR 90 NW 20 HS H | S | PN 250 | 25 | G 1" -11 | M 36 x 2 | 40 | 18 | 12,0 | 78 | 41 | 45 | 55 | 41 |
| GVR 90 NW 25 HS H | S | PN 250 | 30 | G 1.1/4" -11 | M 42 x 2 | 50 | 20 | 13,5 | 92 | 51 | 52 | 65 | 50 |
| GVR 90 NW 32 HS H | S | PN 250 | 38 | G 1.1/2" -11 | M 52 x 2 | 55 | 22 | 16,0 | 102 | 56 | 59 | 75 | 55 |

Seriya: LL = veoma lako L = lako S = teško - PN = nominalni pritisak PB = maks. radni pritisak - Ø d2 = spoljni prečnik cevi