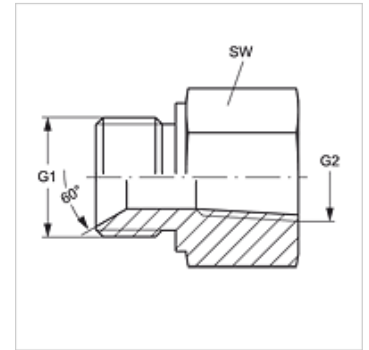
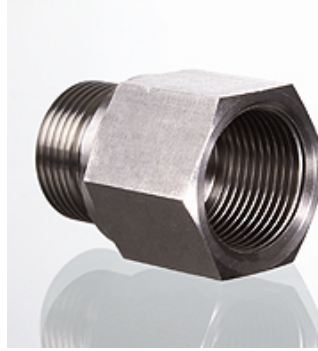


G HB IN VA

Navrtni nastavak

Osobine

Priključak 1	BSP spoljni cilindrični navoj
Oblik zaptivke 1	60° unutrašnji konus
Priključak 2	NPT unutrašnji navoj
Oblik zaptivke 2	zaptivanje preko navoja
Konstrukcija	Screw-on socket
Konstrukcija	pravo
Materijal	plemeniti čelik



Artikal

Naziv	G1	G2	SW (mm)
G HB 02 IN VA	G 1/8" -28	1/8" -27 NPT	14
G HB 02 IN 04 VA	G 1/8" -28	1/4" -18 NPT	19
G HB 04 IN 02 VA	G 1/4" -19	1/8" -27 NPT	19
G HB 04 IN VA	G 1/4" -19	1/4" -18 NPT	19
G HB 04 IN 06 VA	G 1/4" -19	3/8" -18 NPT	24
G HB 04 IN 08 VA	G 1/4" -19	1/2" -14 NPT	27
G HB 06 IN 04 VA	G 3/8" -19	1/4" -18 NPT	22
G HB 06 IN VA	G 3/8" -19	3/8" -18 NPT	24
G HB 06 IN 08 VA	G 3/8" -19	1/2" -14 NPT	27
G HB 08 IN 04 VA	G 1/2" -14	1/4" -18 NPT	27
G HB 08 IN 06 VA	G 1/2" -14	3/8" -18 NPT	27
G HB 08 IN VA	G 1/2" -14	1/2" -14 NPT	27
G HB 08 IN 12 VA	G 1/2" -14	3/4" -14 NPT	36
G HB 12 IN 06 VA	G 3/4" -14	3/8" -18 NPT	32
G HB 12 IN 08 VA	G 3/4" -14	1/2" -14 NPT	32
G HB 12 IN VA	G 3/4" -14	3/4" -14 NPT	36
G HB 12 IN 16 VA	G 3/4" -14	1" -11,5 NPT	36
G HB 16 IN 08 VA	G 1" -11	1/2" -14 NPT	41
G HB 16 IN 12 VA	G 1" -11	3/4" -14 NPT	41
G HB 16 IN VA	G 1" -11	1" -11,5 NPT	41
G HB 20 IN 16 VA	G 1.1/4" -11	1" -11,5 NPT	50
G HB 20 IN VA	G 1.1/4" -11	1.1/4" -11,5 NPT	50
G HB 24 IN VA	G 1.1/2" -11	1.1/2" -11,5 NPT	55
G HB 32 IN VA	G 2" -11	2" -11,5 NPT	60

SW = veličina ključa

Varijante proizvoda

G HB IN Navrtni nastavak, čelik