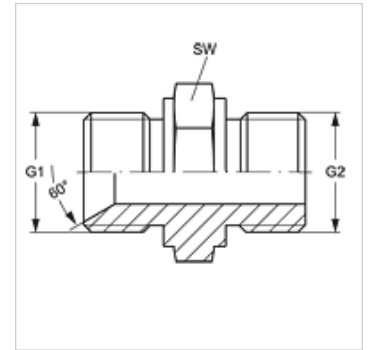


### Osobine

Priključak 1	BSP spoljni cilindrični navoj
Oblik zaptivke 1	60° unutrašnji konus
Priključak 2	BSP spoljni cilindrični navoj
Oblik zaptivke 2	ravno zaptivanje
Konstrukcija	Uvrtni navojni nastavak
Konstrukcija	pravo
Materijal	čelik
Površinska zaštita	galvanska prevlaka



### Artikal

Naziv	G1	G2	SW (mm)
GE HB 04 HR 02	G 1/4" -19	G 1/8" -28	14
GE HB 04 HR	G 1/4" -19	G 1/4" -19	19
GE HB 04 HR 06	G 1/4" -19	G 3/8" -19	22
GE HB 06 HR 04	G 3/8" -19	G 1/4" -19	19
GE HB 06 HR	G 3/8" -19	G 3/8" -19	22
GE HB 08 HR 06	G 1/2" -14	G 3/8" -19	22
GE HB 08 HR	G 1/2" -14	G 1/2" -14	27
GE HB 08 HR 12	G 1/2" -14	G 3/4" -14	27
GE HB 10 HR 08	G 5/8" -14	G 1/2" -14	27
GE HB 10 HR	G 5/8" -14	G 5/8" -14	30
GE HB 10 HR 12	G 5/8" -14	G 3/4" -14	32
GE HB 12 HR 08	G 3/4" -14	G 1/2" -14	27
GE HB 12 HR 10	G 3/4" -14	G 5/8" -14	30
GE HB 12 HR	G 3/4" -14	G 3/4" -14	32
GE HB 16 HR 12	G 1" -11	G 3/4" -14	36
GE HB 16 HR	G 1" -11	G 1" -11	41
GE HB 20 HR 16	G 1.1/4" -11	G 1" -11	46
GE HB 20 HR	G 1.1/4" -11	G 1.1/4" -11	50
GE HB 24 HR 20	G 1.1/2" -11	G 1.1/4" -11	50
GE HB 24 HR	G 1.1/2" -11	G 1.1/2" -11	55

SW = veličina ključa