

PHN 200

Pritisni priključak za kontraprirubnicu

HANSA FLEX

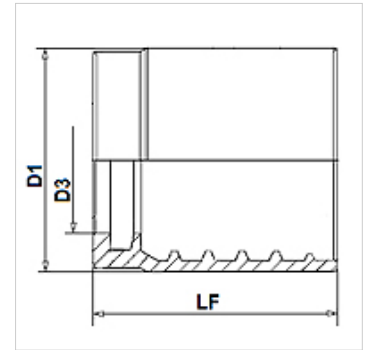
Osobine

Vrsta naglavka Naglavak bez zarezanog priključka

Podesno za 1SN (HD 100)
2SN (HD 200)
2SC (KP 200)

Materijal čelik

Površinska zaštita galvanska prevlaka



Napomena

Raspored priključka zavisi od tipa creva.

Artikal

Naziv	DN*	Veličina	col	D1 (mm)	D3 (mm)	LF (mm)
PHN 204	5	3	3/16"	21,0	9,5	23,5
PHN 206	6	4	1/4"	23,0	11,4	30,0
PHN 208	8	5	5/16"	24,0	13,2	30,0
PHN 210	10	6	3/8"	26,0	14,5	31,0
PHN 213	12	8	1/2"	29,0	18,3	32,0
PHN 216	16	10	5/8"	33,0	21,6	36,0
PHN 220	19	12	3/4"	37,0	24,4	42,5
PHN 225	25	16	1"	46,0	31,0	51,0
PHN 232	31	20	1. 1/4"	59,0	38,3	57,5
PHN 240	38	24	1. 1/2"	67,0	44,0	60,5
PHN 250	51	32	2"	80,0	57,0	74,0

DN = nominalni prečnik, nominalna širina