

ND HB

Utična spojnica, AGR

HANSA FLEX

Osobine

Priključak 1 BSP spoljni cilindrični navoj

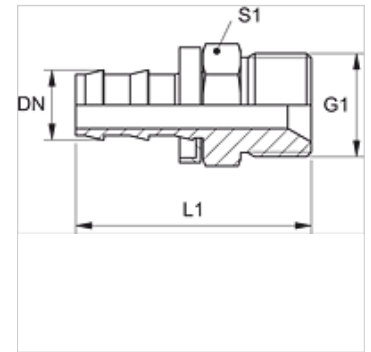
Oblik zaptivke 1 60° unutrašnji konus

Skraćenica AGR

Norma ISO 8434-6
BS 5200

Materijal čelik

Površinska zaštita galvanska prevlaka



Napomena

Neoštećene mazalice se mogu ponovo koristiti.

Artikal

Naziv	DN	Veličina	col	G1	L1 (mm)	S1
ND 06 HB 02	6	4	1/4"	G 1/8" -28	36,0	17
ND 06 HB	6	4	1/4"	G 1/4" -19	41,0	19
ND 10 HB 06	10	6	3/8"	G 1/4" -19	44,0	19
ND 10 HB	10	6	3/8"	G 3/8" -19	45,0	22
ND 13 HB	12	8	1/2"	G 1/2" -14	53,0	27
ND 16 HB 13	16	10	5/8"	G 1/2" -14	-	-
ND 16 HB	16	10	5/8"	G 5/8" -14	65,0	30
ND 20 HB	19	12	3/4"	G 3/4" -14	65,0	32

Pribor

ND ASR GE, RO, BL Granični prsten za utičnu spojnicu