

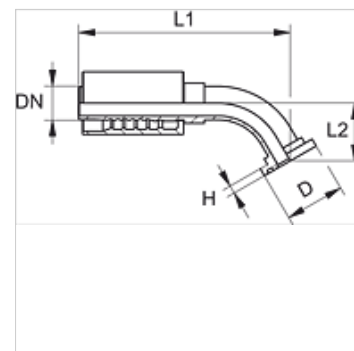
PA 500 SF9 45 A

Utična armatura, SFS-CAT W45°

HANSA FLEX

Osobine

Oblast primene	Utična armatura za creva HD 500
Priključak 1	SAE priključak prirubnice 6000 PSI
Oblik zaptivke 1	ravno zaptivanje sa SF O-prstenom
Skraćenica	SFS-CAT
Podesno za	Caterpillar
Uvezivanje	sa osiguračem kidanja (interlock)
Obim isporuke	Pritisna nazuvica + pritisni priključak
Materijal	čelik
Površinska zaštita	galvanska prevlaka



Artikal

Naziv	DN	Veličina	col	Veličina spojnice	D (mm)	H (mm)	L1 (mm)	L2 (mm)
PA 720 SF9 45	19	12	3/4"	3/4"	41,3	14,2	139,0	34,0
PA 720 SF9 25 45	19	12	3/4"	1"	47,6	14,2	143,0	37,5
PA 725 SF9 20 45	25	16	1"	3/4"	41,3	14,2	157,0	35,0
PA 725 SF9 45	25	16	1"	1"	47,6	14,2	167,0	36,5
PA 725 SF9 32 45	25	16	1"	1.1/4"	54,0	14,2	172,0	41,5
PA 532 SF9 25 45 A	31	20	1.1/4"	1"	47,6	14,0	174,0	39,5
PA 532 SF9 45 A	31	20	1.1/4"	1.1/4"	54,0	14,0	194,0	44,5
PA 532 SF9 40 45 A	31	20	1.1/4"	1.1/2"	63,5	14,0	198,0	48,5
PA 540 SF9 32 45 A	38	24	1.1/2"	1.1/4"	54,0	14,0	205,5	47,0
PA 540 SF9 45 A	38	24	1.1/2"	1.1/2"	63,5	14,0	226,0	51,0