

PA 700 AOS 45

Utična armatura, DKOS W45°

HANSA FLEX

Osobine

Oblast primene Utična armatura za creva HD 700

Priključak 1 metrički navoj navrtke

Oblik zaptivke 1 24° spoljašnji konus sa O-prstenom

Skraćenica DKOS

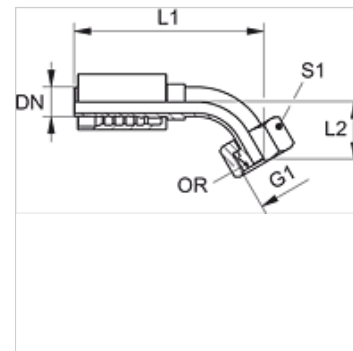
Norma ISO 8434-1

Uvezivanje sa osiguračem kidanja (interlock)

Obim isporuke Pritisna nazuvica + pritisni priključak

Materijal čelik

Površinska zaštita galvanska prevlaka



Artikal

| Naziv | DN | Veličina | col | Radni pritisak (bar) | G1 | Ø za cev spolja (mm) | L1 (mm) | S1 | L2 (mm) | OR |
|--------------------|----|----------|--------|----------------------|------------|----------------------|---------|----|---------|------------|
| PA 710 AOS 08 45 | 10 | 6 | 3/8" | 630,0 | M 20 x 1,5 | 12 | - | 24 | - | 10,0 x 1,5 |
| PA 710 AOS 45 | 10 | 6 | 3/8" | 630,0 | M 22 x 1,5 | 14 | 94,2 | 27 | - | 12,0 x 2,0 |
| PA 713 AOS 45 | 12 | 8 | 1/2" | 420,0 | M 24 x 1,5 | 16 | 95,0 | 30 | 21,5 | 13,0 x 2,0 |
| PA 713 AOS 16 45 | 12 | 8 | 1/2" | 420,0 | M 30 x 2 | 20 | 108,0 | 36 | 27,0 | 17,5 x 2,5 |
| PA 716 AOS 45 | 16 | 10 | 3/8" | 420,0 | M 30 x 2 | 20 | 118,0 | 36 | 27,0 | 17,5 x 2,5 |
| PA 720 AOS 16 45 | 19 | 12 | 3/4" | 420,0 | M 30 x 2 | 20 | 133,0 | 36 | 27,0 | 16,0 x 2,5 |
| PA 720 AOS 45 SW41 | 19 | 12 | 3/4" | 420,0 | M 36 x 2 | 25 | 136,0 | 41 | 30,0 | 20,0 x 2,5 |
| PA 720 AOS 45 | 19 | 12 | 3/4" | 420,0 | M 36 x 2 | 25 | 136,0 | 46 | 30,0 | 20,0 x 2,5 |
| PA 720 AOS 25 45 | 19 | 12 | 3/4" | 420,0 | M 42 x 2 | 30 | 142,0 | 50 | 35,0 | 27,0 x 2,5 |
| PA 725 AOS 20 45 | 25 | 16 | 1" | 420,0 | M 36 x 2 | 25 | 156,5 | 41 | 34,5 | 20,0 x 2,5 |
| PA 725 AOS 45 | 25 | 16 | 1" | 420,0 | M 42 x 2 | 30 | 164,0 | 50 | 34,5 | 25,0 x 2,5 |
| PA 725 AOS 32 45 | 25 | 16 | 1" | 420,0 | M 52 x 2 | 38 | 170,0 | 60 | 41,0 | 33,0 x 2,5 |
| PA 732 AOS 25 45 S | 31 | 20 | 1.1/4" | 420,0 | M 42 x 2 | 30 | 175,0 | 50 | 39,5 | 27,0 x 2,5 |
| PA 732 AOS 45 S | 31 | 20 | 1.1/4" | 420,0 | M 52 x 2 | 38 | 200,0 | 60 | 43,0 | 33,0 x 2,5 |

Varijante proizvoda

PA 700 AOS 45 VA Utična armatura, DKOS W45°, plemeniti čelik