

PA 700 SF9 45

Utična armatura, SFS-CAT W45°

HANSA FLEX

Osobine

Oblast primene Utična armatura za creva HD 700

Priključak 1 SAE priključak priрубnice 6000 PSI

Oblik zaptivke 1 ravno zaptivanje sa SF O-prstenom

Skraćenica SFS-CAT

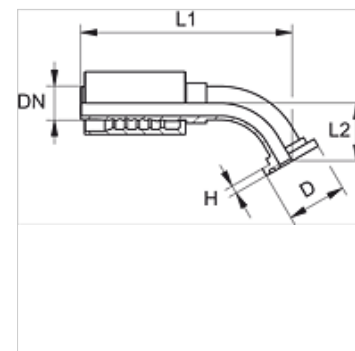
Podesno za Caterpillar

Uvezivanje sa osiguračem kidanja (interlock)

Obim isporuke Pritisna nazuvica + pritisni priključak

Materijal čelik

Površinska zaštita galvanska prevlaka



Artikal

Naziv	DN	Veličina	col	Veličina spojnice	Radni pritisak (bar)	D (mm)	H (mm)	L1 (mm)	L2 (mm)
PA 720 SF9 45	19	12	3/4"	3/4"	420,0	41,3	14,2	139,0	34,0
PA 720 SF9 25 45	19	12	3/4"	1"	420,0	47,6	14,2	143,0	37,5
PA 725 SF9 20 45	25	16	1"	3/4"	420,0	41,3	14,2	157,0	35,0
PA 725 SF9 45	25	16	1"	1"	420,0	47,6	14,2	167,0	36,5
PA 725 SF9 32 45	25	16	1"	1.1/4"	420,0	54,0	14,2	172,0	41,5
PA 732 SF9 25 45 S	31	20	1.1/4"	1"	420,0	47,6	14,0	174,0	39,5
PA 732 SF9 45 S	31	20	1.1/4"	1.1/4"	420,0	54,0	14,0	187,0	44,0
PA 732 SF9 40 45 S	31	20	1.1/4"	1.1/2"	420,0	63,5	14,0	195,5	52,0
PA 740 SF9 32 45	38	24	1.1/2"	1.1/4"	420,0	54,0	14,0	205,5	47,0
PA 740 SF9 45	38	24	1.1/2"	1.1/2"	420,0	63,5	14,2	224,0	51,0