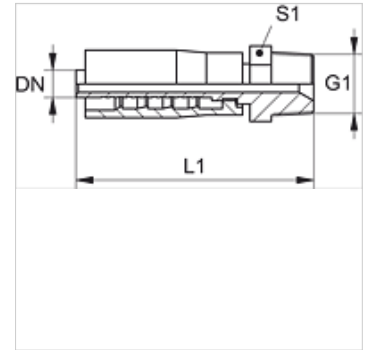


# PAY 300 HN

Utična armatura, AGN

**Osobine**

<b>Priključak 1</b>	NPT spoljni navoj
<b>Oblik zaptivke 1</b>	zaptivanje navoja, dodatni unutrašnji konus 60°.
<b>Skraćenica</b>	AGN
<b>Obim isporuke</b>	Pritisna nazuvica + pritisni priključak
<b>Materijal</b>	čelik
<b>Površinska zaštita</b>	galvanska prevlaka

**Artikal**

Naziv	DN	Veličina	col	G1	L1 (mm)	S1
PAY 306 HN	6	4	1/4"	1/4" -18 NPT	65,0	14
PAY 306 HN 10	6	4	1/4"	3/8" -18 NPT	-	-
PAY 310 HN	10	6	3/8"	3/8" -18 NPT	71,0	19
PAY 310 HN 13	10	6	3/8"	1/2" -14 NPT	76,0	22
PAY 313 HN	12	8	1/2"	1/2" -14 NPT	79,0	22
PAY 320 HN	19	12	3/4"	3/4" -14 NPT	91,0	27
PAY 325 HN	25	16	1"	1" -11,5 NPT	96,0	36
PAY 325 HN 32	25	16	1"	1.1/4" -11,5 NPT	97,0	46