

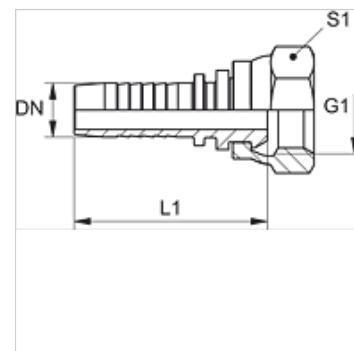
PN AB

Pritisna nazuvica, DKR

HANSA FLEX

Osobine

Oblast primene	Pritisna nazuvica za creva HD 100 do HD 400, KP, TE
Priključak 1	BSP navoj navrtke
Oblik zaptivke 1	60° spoljašnji konus
Skraćenica	DKR
Norma	ISO 8434-6 BS 5200
Materijal	čelik
Površinska zaštita	galvanska prevlaka



Napomena

Odgovarajući priključak molimo da odaberete prema tipu creva.

Artikal

Naziv	DN	Veličina	col	Radni pritisak (bar)	G1	L1 (mm)	S1
PN 04 AB	5	3	3/16"	350,0	G 1/8" -28	37,0	14
PN 04 AB 06	5	3	3/16"	400,0	G 1/4" -19	37,5	19
PN 06 AB 02	6	4	1/4"	350,0	G 1/8" -28	43,0	14
PN 06 AB	6	4	1/4"	400,0	G 1/4" -19	44,5	19
PN 06 AB 10	6	4	1/4"	400,0	G 3/8" -19	46,5	22
PN 08 AB 06	8	5	5/16"	400,0	G 1/4" -19	45,0	19
PN 08 AB 10	8	5	5/16"	400,0	G 3/8" -19	47,0	22
PN 08 AB 13	8	5	5/16"	350,0	G 1/2" -14	48,5	27
PN 10 AB 06	10	6	3/8"	400,0	G 1/4" -19	46,5	19
PN 10 AB	10	6	3/8"	400,0	G 3/8" -19	48,0	22
PN 10 AB 13	10	6	3/8"	350,0	G 1/2" -14	49,5	27
PN 13 AB 10	12	8	1/2"	350,0	G 3/8" -19	48,0	22
PN 13 AB	12	8	1/2"	350,0	G 1/2" -14	50,5	27
PN 13 AB 16	12	8	1/2"	350,0	G 5/8" -14	49,5	30
PN 13 AB 20	12	8	1/2"	315,0	G 3/4" -14	52,0	32
PN 16 AB 13	16	10	5/8"	350,0	G 1/2" -14	55,0	27
PN 16 AB	16	10	5/8"	350,0	G 5/8" -14	54,0	30
PN 16 AB 20	16	10	5/8"	315,0	G 3/4" -14	57,0	32
PN 16 AB 25	16	10	5/8"	250,0	G 1" -11	62,0	38
PN 20 AB 13	19	12	3/4"	315,0	G 1/2" -14	62,0	27
PN 20 AB 16	19	12	3/4"	315,0	G 5/8" -14	61,0	30
PN 20 AB	19	12	3/4"	315,0	G 3/4" -14	64,0	32
PN 20 AB 25	19	12	3/4"	250,0	G 1" -11	67,0	38
PN 25 AB	25	16	1"	250,0	G 1" -11	75,0	38
PN 25 AB 32	25	16	1"	250,0	G 1.1/4" -11	80,5	50
PN 32 AB	31	20	1.1/4"	250,0	G 1.1/4" -11	88,0	50
PN 40 AB	38	24	1.1/2"	210,0	G 1.1/2" -11	92,0	55
PN 50 AB	51	32	2"	210,0	G 2" -11	110,5	70

Varijante proizvoda

PN AB VA Pritisna nazuvica, DKR, plemeniti čelik