

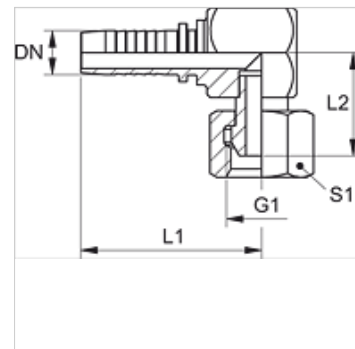
# PN ABK 90

Pritisna nazuvica, DKR komp. W90°

**HANSA FLEX**

## Osobine

Oblast primene	Pritisna nazuvica za creva HD 100 do HD 400, KP, TE
Priključak 1	BSP navoj navrtke
Oblik zaptivke 1	60° spoljašnji konus
Dodatak za vrstu konstrukciju	Kompaktan oblik
Skraćenica	DKR
Norma	BS 5200
Materijal	čelik
Površinska zaštita	galvanska prevlaka



## Napomena

Odgovarajući priključak molimo da odaberete prema tipu creva.

## Artikal

Naziv	DN	Veličina	col	Radni pritisak (bar)	G1	L1 (mm)	L2 (mm)	S1
PN 04 ABK 90	5	3	3/16"	350,0	G 1/8" -28	47,0	17,0	14
PN 06 ABK 90	6	4	1/4"	400,0	G 1/4" -19	50,0	20,0	19
PN 06 ABK 10 90	6	4	1/4"	400,0	G 3/8" -19	53,5	23,0	22
PN 08 ABK 10 90	8	5	5/16"	400,0	G 3/8" -19	54,0	23,0	22
PN 10 ABK 06 90	10	6	3/8"	400,0	G 1/4" -19	52,0	20,0	19
PN 10 ABK 90	10	6	3/8"	400,0	G 3/8" -19	55,5	23,0	22
PN 10 ABK 13 90	10	6	3/8"	350,0	G 1/2" -14	57,6	26,0	27
PN 13 ABK 90	12	8	1/2"	350,0	G 1/2" -14	59,6	26,0	27
PN 16 ABK 90	16	10	5/8"	350,0	G 5/8" -14	64,1	27,0	30
PN 20 ABK 90	19	12	3/4"	315,0	G 3/4" -14	74,8	32,0	32
PN 25 ABK 90	25	16	1"	250,0	G 1" -11	92,2	36,0	38