

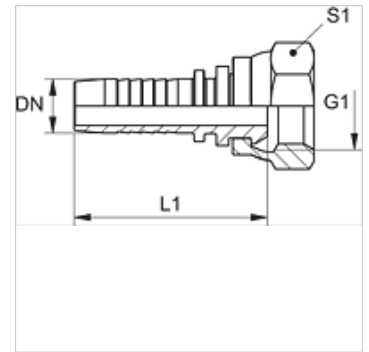
PN AFL

Pritisna nazuvica, DKL

HANSA FLEX

Osobine

Oblast primene	Pritisna nazuvica za creva HD 100 do HD 400, KP, TE
Priključak 1	metrički navoj navrtke
Oblik zaptivke 1	24°/60° Universal sealing head
Skraćenica	DKL
Serija	lak
Materijal	čelik
Površinska zaštita	galvanska prevlaka



Napomena

Odgovarajući priključak molimo da odaberete prema tipu creva.

Artikal

Naziv	DN	Veličina	col	Radni pritisak (bar)	G1	Ø za cev spolja (mm)	L1 (mm)	S1
PN 04 AFL	5	3	3/16"	250,0	M 12 x 1,5	6	41,2	14
PN 06 AFL 04	6	4	1/4"	250,0	M 12 x 1,5	6	45,0	14
PN 06 AFL	6	4	1/4"	250,0	M 14 x 1,5	8	47,0	17
PN 06 AFL 08	6	4	1/4"	250,0	M 16 x 1,5	10	47,5	19
PN 06 AFL 10	6	4	1/4"	250,0	M 18 x 1,5	12	48,5	22
PN 08 AFL	8	5	5/16"	250,0	M 16 x 1,5	10	47,5	19
PN 08 AFL 10	8	5	5/16"	250,0	M 18 x 1,5	12	48,5	22
PN 10 AFL 06	10	6	3/8"	250,0	M 14 x 1,5	8	49,5	17
PN 10 AFL 08	10	6	3/8"	250,0	M 16 x 1,5	10	49,0	19
PN 10 AFL	10	6	3/8"	250,0	M 18 x 1,5	12	50,0	22
PN 10 AFL 13	10	6	3/8"	250,0	M 22 x 1,5	15	50,5	27
PN 13 AFL	12	8	1/2"	250,0	M 22 x 1,5	15	51,5	27
PN 13 AFL 16	12	8	1/2"	160,0	M 26 x 1,5	18	54,0	32
PN 16 AFL 13	16	10	5/8"	160,0	M 22 x 1,5	15	56,0	27
PN 16 AFL	16	10	5/8"	160,0	M 26 x 1,5	18	58,5	32
PN 20 AFL	19	12	3/4"	160,0	M 30 x 2	22	66,0	36
PN 20 AFL 25	19	12	3/4"	100,0	M 36 x 2	28	67,0	41
PN 25 AFL	25	16	1"	100,0	M 36 x 2	28	75,0	41
PN 32 AFL	31	20	1.1/4"	100,0	M 45 x 2	35	88,0	50
PN 40 AFL	38	24	1.1/2"	100,0	M 52 x 2	42	92,5	60

Varijante proizvoda

PN AFL VA Pritisna nazuvica, DKL, plemeniti čelik