

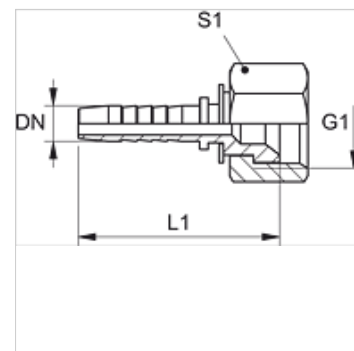
PN AJ

Pritisna nazuvica, DKJ

HANSA FLEX

Osobine

Oblast primene	Pritisna nazuvica za creva HD 100 do HD 400, KP, TE
Priključak 1	UN/UNF navoj navrtke
Oblik zaptivke 1	74° unutrašnji konus
Skraćenica	DKJ
Norma	ISO 8434-2
Materijal	čelik
Površinska zaštita	galvanska prevlaka



Napomena

Odgovarajući priključak molimo da odaberete prema tipu creva.

Artikal

Naziv	DN	Veličina	col	Radni pritisak (bar)	G1	L1 (mm)	S1
PN 04 AJ 06	5	3	3/16"	410,0	7/16" -20 UNF	36,0	14
PN 06 AJ	6	4	1/4"	410,0	7/16" -20 UNF	42,0	14
PN 06 AJ 08	6	4	1/4"	410,0	1/2" -20 UNF	43,0	17
PN 06 AJ 10	6	4	1/4"	350,0	9/16" -18 UNF	44,5	19
PN 06 AJ 3/8	6	4	1/4"	410,0	3/8" -24 UNF	43,5	14
PN 08 AJ	8	5	5/16"	410,0	1/2" -20 UNF	43,0	17
PN 08 AJ 10	8	5	5/16"	350,0	9/16" -18 UNF	45,0	19
PN 08 AJ 13	8	5	5/16"	345,0	3/4" -16 UNF	46,5	24
PN 10 AJ 08	10	6	3/8"	350,0	1/2" -20 UNF	47,0	17
PN 10 AJ	10	6	3/8"	350,0	9/16" -18 UNF	46,0	19
PN 10 AJ 13	10	6	3/8"	345,0	3/4" -16 UNF	48,5	24
PN 10 AJ 16	10	6	3/8"	345,0	7/8" -14 UNF	49,5	27
PN 13 AJ	12	8	1/2"	345,0	3/4" -16 UNF	48,0	24
PN 13 AJ 10	12	8	1/2"	345,0	9/16" -18 UNF	49,0	19
PN 13 AJ 16	12	8	1/2"	345,0	7/8" -14 UNF	50,5	27
PN 13 AJ 20	12	8	1/2"	345,0	1.1/16" -12 UN	51,0	32
PN 16 AJ	16	10	5/8"	345,0	7/8" -14 UNF	53,5	27
PN 16 AJ 20	16	10	5/8"	345,0	1.1/16" -12 UN	56,0	32
PN 20 AJ 14	19	12	3/4"	345,0	1.3/16" -12 UN	64,0	36
PN 20 AJ 16	19	12	3/4"	345,0	7/8" -14 UNF	62,5	27
PN 20 AJ	19	12	3/4"	345,0	1.1/16" -12 UN	63,0	32
PN 20 AJ 25	19	12	3/4"	275,0	1.5/16" -12 UN	64,0	41
PN 25 AJ 20	25	16	1"	275,0	1.1/16" -12 UN	71,0	32
PN 25 AJ	25	16	1"	275,0	1.5/16" -12 UN	72,0	41
PN 25 AJ 32	25	16	1"	200,0	1.5/8" -12 UN	74,0	50
PN 32 AJ 25	31	20	1.1/4"	200,0	1.5/16" -12 UN	83,5	41
PN 32 AJ	31	20	1.1/4"	200,0	1.5/8" -12 UN	82,0	50
PN 32 AJ 40	31	20	1.1/4"	170,0	1.7/8" -12 UN	84,0	60
PN 40 AJ 32	38	24	1.1/2"	170,0	1.5/8" -12 UN	88,0	50
PN 40 AJ	38	24	1.1/2"	170,0	1.7/8" -12 UN	87,5	60
PN 50 AJ	51	32	2"	170,0	2.1/2" -12 UN	108,0	75

Varijante proizvoda

PN AJ VA Pritisna nazuvica, DKJ, plemeniti čelik