

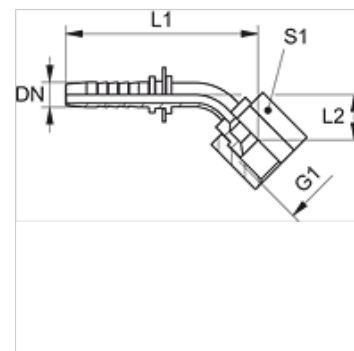
PN AJ 45

Pritisna nazuvica, DKJ W45°

HANSA FLEX

Osobine

Oblast primene	Pritisna nazuvica za creva HD 100 do HD 400, KP, TE
Priključak 1	UN/UNF navoj navrtke
Oblik zaptivke 1	74° unutrašnji konus
Skraćenica	DKJ
Norma	ISO 8434-2
Materijal	čelik
Površinska zaštita	galvanska prevlaka



Napomena

Odgovarajući priključak molimo da odaberete prema tipu creva.

Artikal

Naziv	DN	Veličina	col	Radni pritisak (bar)	G1	L1 (mm)	L2 (mm)	S1
PN 04 AJ 06 45	5	3	3/16"	410,0	7/16" -20 UNF	54,5	12,5	14
PN 06 AJ 45	6	4	1/4"	410,0	7/16" -20 UNF	61,5	14,0	14
PN 06 AJ 08 45	6	4	1/4"	410,0	1/2" -20 UNF	62,0	13,5	17
PN 06 AJ 10 45	6	4	1/4"	350,0	9/16" -18 UNF	62,5	14,0	19
PN 08 AJ 45	8	5	5/16"	410,0	1/2" -20 UNF	68,5	18,5	17
PN 08 AJ 10 45	8	5	5/16"	350,0	9/16" -18 UNF	64,0	15,0	19
PN 10 AJ 08 45	10	6	3/8"	350,0	1/2" -20 UNF	73,0	18,5	17
PN 10 AJ 45	10	6	3/8"	350,0	9/16" -18 UNF	70,5	17,5	19
PN 10 AJ 13 45	10	6	3/8"	345,0	3/4" -16 UNF	72,0	19,0	24
PN 10 AJ 16 45	10	6	3/8"	345,0	7/8" -14 UNF	72,5	19,5	27
PN 13 AJ 45	12	8	1/2"	345,0	3/4" -16 UNF	80,5	20,5	24
PN 13 AJ 16 45	12	8	1/2"	345,0	7/8" -14 UNF	81,5	21,5	27
PN 13 AJ 20 45	12	8	1/2"	345,0	1.1/16" -12 UN	82,5	22,5	32
PN 16 AJ 14 45	16	10	5/8"	345,0	1.3/16" -12 UN	93,5	30,0	36
PN 16 AJ 45	16	10	5/8"	345,0	7/8" -14 UNF	96,5	25,5	27
PN 16 AJ 20 45	16	10	5/8"	345,0	1.1/16" -12 UN	97,0	26,0	32
PN 20 AJ 14 45	19	12	3/4"	345,0	1.3/16" -12 UN	108,5	29,0	36
PN 20 AJ 45	19	12	3/4"	345,0	1.1/16" -12 UN	108,0	28,5	32
PN 20 AJ 25 45	19	12	3/4"	275,0	1.5/16" -12 UN	108,5	29,0	41
PN 25 AJ 14 45	25	16	1"	275,0	1.3/16" -12 UN	117,5	32,5	36
PN 25 AJ 45	25	16	1"	275,0	1.5/16" -12 UN	134,5	32,5	41
PN 25 AJ 32 45	25	16	1"	200,0	1.5/8" -12 UN	135,5	34,0	50
PN 32 AJ 45	31	20	1.1/4"	200,0	1.5/8" -12 UN	161,0	41,0	50
PN 32 AJ 40 45	31	20	1.1/4"	170,0	1.7/8" -12 UN	162,0	42,0	60
PN 40 AJ 45	38	24	1.1/2"	170,0	1.7/8" -12 UN	184,5	46,5	60
PN 50 AJ 45	51	32	2"	170,0	2.1/2" -12 UN	231,0	67,0	75

Varijante proizvoda

PN AJ 45 VA Pritisna nazuvica, DKJ W45°, plemeniti čelik