

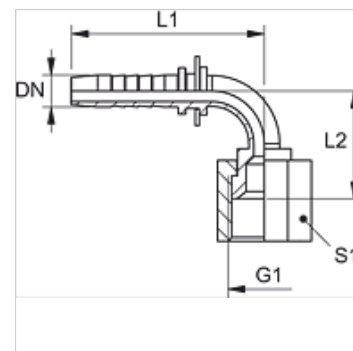
PN AJ 90

Pritisna nazuvica, DKJ W90°

HANSA FLEX

Osobine

Oblast primene	Pritisna nazuvica za creva HD 100 do HD 400, KP, TE
Priključak 1	UN/UNF navoj navrtke
Oblik zaptivke 1	74° unutrašnji konus
Skraćenica	DKJ
Norma	ISO 8434-2
Materijal	čelik
Površinska zaštita	galvanska prevlaka



Napomena

Odgovarajući priključak molimo da odaberete prema tipu creva.

Artikal

Naziv	DN	Veličina	col	Radni pritisak (bar)	G1	L1 (mm)	L2 (mm)	S1
PN 04 AJ 06 90	5	3	3/16"	410,0	7/16" -20 UNF	47,5	26,0	14
PN 06 AJ 90	6	4	1/4"	410,0	7/16" -20 UNF	57,0	26,0	14
PN 06 AJ 08 90	6	4	1/4"	410,0	1/2" -20 UNF	57,0	27,0	17
PN 06 AJ 10 90	6	4	1/4"	350,0	9/16" -18 UNF	57,0	28,0	19
PN 08 AJ 90	8	5	5/16"	410,0	1/2" -20 UNF	56,5	33,0	17
PN 08 AJ 10 90	8	5	5/16"	350,0	9/16" -18 UNF	57,5	30,5	19
PN 10 AJ 08 90	10	6	3/8"	350,0	1/2" -20 UNF	66,5	37,5	17
PN 10 AJ 90	10	6	3/8"	350,0	9/16" -18 UNF	63,0	35,0	19
PN 10 AJ 13 90	10	6	3/8"	345,0	3/4" -16 UNF	63,0	37,0	24
PN 10 AJ 16 90	10	6	3/8"	345,0	7/8" -14 UNF	63,0	38,0	27
PN 13 AJ 90	12	8	1/2"	345,0	3/4" -16 UNF	71,5	42,5	24
PN 13 AJ 16 90	12	8	1/2"	345,0	7/8" -14 UNF	71,5	43,5	27
PN 13 AJ 20 90	12	8	1/2"	345,0	1.1/16" -12 UN	71,5	45,0	32
PN 16 AJ 90	16	10	5/8"	345,0	7/8" -14 UNF	87,0	54,0	27
PN 16 AJ 20 90	16	10	5/8"	345,0	1.1/16" -12 UN	87,0	54,5	32
PN 16 AJ 20 90 L 105	16	10	5/8"	345,0	1.1/16" -12 UN	87,0	105,0	32
PN 20 AJ 90	19	12	3/4"	345,0	1.1/16" -12 UN	99,0	57,5	32
PN 20 AJ 90 L 100	19	12	3/4"	345,0	1.1/16" -12 UN	99,0	100,0	32
PN 20 AJ 14 90	19	12	3/4"	345,0	1.3/16" -12 UN	108,5	69,5	36
PN 20 AJ 25 90	19	12	3/4"	275,0	1.5/16" -12 UN	99,0	58,5	41
PN 25 AJ 14 90	25	16	1"	275,0	1.3/16" -12 UN	108,5	69,5	36
PN 25 AJ 90	25	16	1"	275,0	1.5/16" -12 UN	126,0	70,5	41
PN 25 AJ 32 90	25	16	1"	200,0	1.5/8" -12 UN	126,0	72,5	50
PN 32 AJ 90	31	16	1.1/4"	200,0	1.5/8" -12 UN	150,5	86,0	50
PN 32 AJ 40 90	31	20	1.1/4"	170,0	1.7/8" -12 UN	150,5	87,0	60
PN 40 AJ 90	38	24	1.1/2"	170,0	1.7/8" -12 UN	175,5	100,5	60
PN 50 AJ 90	51	32	2"	170,0	2.1/2" -12 UN	216,5	135,0	75

Varijante proizvoda

PN AJ 90 VA Pritisna nazuvica, DKJ W90°, plemeniti čelik