

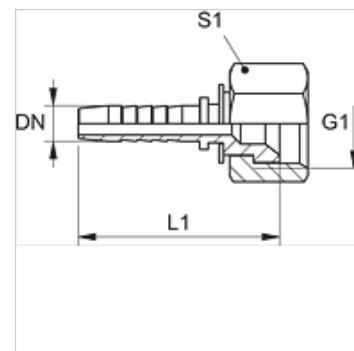
# PN ALI

Pritisna nazuvica, JIS

**HANSA FLEX**

## Osobine

<b>Oblast primene</b>	Pritisna nazuvica za creva HD 100 do HD 400, KP, TE
<b>Priključak 1</b>	metrički navoj navrtke
<b>Oblik zaptivke 1</b>	60° unutrašnji konus
<b>Norma</b>	JIS 8363
<b>Podesno za</b>	Komatsu
<b>Materijal</b>	čelik
<b>Površinska zaštita</b>	galvanska prevlaka



## Napomena

Odgovarajući priključak molimo da odaberete prema tipu creva.

## Artikal

Naziv	DN	Veličina	col	Radni pritisak (bar)	G1	L1 (mm)	S1
PN 06 ALI	6	4	1/4"	345,0	M 14 x 1,5	44,0	19
PN 06 ALI 08	6	4	1/4"	345,0	M 16 x 1,5	45,0	22
PN 08 ALI	8	5	5/16"	345,0	M 16 x 1,5	44,0	22
PN 10 ALI 06	10	6	3/8"	345,0	M 14 x 1,5	48,0	19
PN 10 ALI 08	10	6	3/8"	345,0	M 16 x 1,5	47,5	22
PN 10 ALI	10	6	3/8"	345,0	M 18 x 1,5	47,8	24
PN 13 ALI	12	8	1/2"	345,0	M 22 x 1,5	50,5	27
PN 13 ALI 16	12	8	1/2"	275,0	M 24 x 1,5	50,5	30
PN 16 ALI	16	10	5/8"	275,0	M 24 x 1,5	55,0	30
PN 20 ALI	19	12	3/4"	275,0	M 30 x 1,5	63,0	36
PN 25 ALI	25	16	1"	205,0	M 33 x 1,5	71,6	41
PN 32 ALI	31	20	1.1/4"	170,0	M 36 x 1,5	84,0	46
PN 40 ALI	38	24	1.1/2"	170,0	M 42 x 1,5	90,5	50