

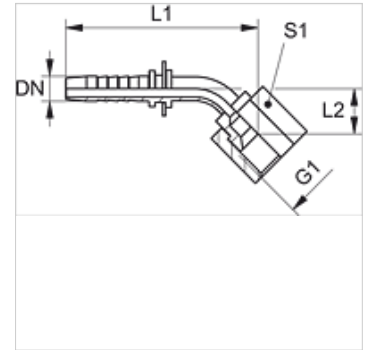
# PN ALI 45

Pritisna nazuvica, JIS W45°

**HANSA FLEX**

## Osobine

<b>Oblast primene</b>	Pritisna nazuvica za creva HD 100 do HD 400, KP, TE
<b>Priključak 1</b>	metrički navoj navrtke
<b>Oblik zaptivke 1</b>	60° unutrašnji konus
<b>Norma</b>	JIS 8363
<b>Podesno za</b>	Komatsu
<b>Materijal</b>	čelik
<b>Površinska zaštita</b>	galvanska prevlaka



## Napomena

Odgovarajući priključak molimo da odaberete prema tipu creva.

## Artikal

Naziv	DN	Veličina	col	Radni pritisak (bar)	G1	L1 (mm)	L2 (mm)	S1
PN 10 ALI 06 45	10	6	3/8"	345,0	M 14 x 1,5	77,0	18,0	19
PN 10 ALI 08 45	10	6	3/8"	345,0	M 16 x 1,5	90,0	25,0	22
PN 10 ALI 45	10	6	3/8"	345,0	M 18 x 1,5	91,0	25,0	22
PN 13 ALI 45	12	8	1/2"	345,0	M 22 x 1,5	99,0	29,0	27
PN 16 ALI 45	16	10	5/8"	275,0	M 24 x 1,5	-	-	-
PN 20 ALI 45	19	12	3/4"	275,0	M 30 x 1,5	124,0	34,0	36
PN 25 ALI 45	25	16	1"	205,0	M 33 x 1,5	146,0	41,0	41