

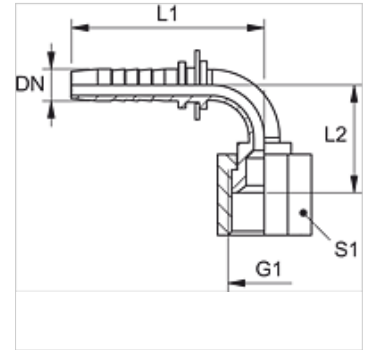
PN ALI 90

Pritisna nazuvica, JIS W90°

HANSA FLEX

Osobine

Oblast primene	Pritisna nazuvica za creva HD 100 do HD 400, KP, TE
Priključak 1	metrički navoj navrtke
Oblik zaptivke 1	60° unutrašnji konus
Norma	JIS 8363
Podesno za	Komatsu
Materijal	čelik
Površinska zaštita	galvanska prevlaka



Napomena

Odgovarajući priključak molimo da odaberete prema tipu creva.

Artikal

Naziv	DN	Veličina	col	Radni pritisak (bar)	G1	L1 (mm)	L2 (mm)	S1
PN 06 ALI 90	6	4	1/4"	345,0	M 14 x 1,5	63,0	31,0	17
PN 08 ALI 90	8	5	5/16"	345,0	M 16 x 1,5	70,0	42,0	19
PN 10 ALI 06 90	10	6	3/8"	345,0	M 14 x 1,5	64,0	31,0	19
PN 10 ALI 08 90	10	6	3/8"	345,0	M 16 x 1,5	72,0	42,0	22
PN 10 ALI 90	10	6	3/8"	345,0	M 18 x 1,5	73,0	42,0	22
PN 10 ALI 13 90	10	6	3/8"	345,0	M 22 x 1,5	89,0	58,0	27
PN 13 ALI 90	12	8	1/2"	345,0	M 22 x 1,5	88,0	58,0	27
PN 16 ALI 90	16	10	5/8"	275,0	M 24 x 1,5	92,0	58,0	30
PN 20 ALI 90	19	12	3/4"	275,0	M 30 x 1,5	109,0	67,0	36
PN 25 ALI 90	25	16	1"	205,0	M 33 x 1,5	118,0	70,0	41