

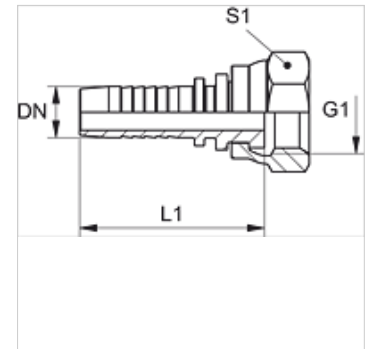
# PN AR

Pritisna nazuvica, DKR ravno

**HANSA FLEX**

## Osobine

<b>Oblast primene</b>	Pritisna nazuvica za creva HD 100 do HD 400, KP, TE
<b>Priključak 1</b>	BSP navoj navrtke
<b>Oblik zaptivke 1</b>	ravno zaptivanje
<b>Skraćenica</b>	DKR ravno
<b>Materijal</b>	čelik
<b>Površinska zaštita</b>	galvanska prevlaka



## Napomena

Odgovarajući priključak molimo da odaberete prema tipu creva.

LM = dugačka navrtka

## Artikal

Naziv	DN	Veličina	col	Radni pritisak (bar)	G1	L1 (mm)	S1
PN 06 AR 02	6	4	1/4"	350,0	G 1/8" -28	43,0	14
PN 06 AR	6	4	1/4"	350,0	G 1/4" -19	43,5	19
PN 06 AR 10	6	4	1/4"	350,0	G 3/8" -19	44,5	22
PN 08 AR 06	8	5	5/16"	350,0	G 1/4" -19	44,0	19
PN 08 AR 10	8	5	5/16"	350,0	G 3/8" -19	44,5	22
PN 08 AR 13	8	5	5/16"	315,0	G 1/2" -14	46,5	27
PN 10 AR 06	10	6	3/8"	350,0	G 1/4" -19	46,0	19
PN 10 AR	10	6	3/8"	350,0	G 3/8" -19	47,0	22
PN 10 AR 13	10	6	3/8"	315,0	G 1/2" -14	48,0	27
PN 10 AR 13 LM	10	6	3/8"	315,0	G 1/2" -14	48,0	27
PN 13 AR 10	12	8	1/2"	315,0	G 3/8" -19	48,5	22
PN 13 AR	12	8	1/2"	315,0	G 1/2" -14	50,0	27
PN 13 AR 16	12	8	1/2"	315,0	G 5/8" -14	49,5	30
PN 13 AR 20	12	8	1/2"	250,0	G 3/4" -14	49,5	32
PN 16 AR	16	10	5/8"	315,0	G 5/8" -14	55,0	30
PN 16 AR 20	16	10	5/8"	250,0	G 3/4" -14	54,0	32
PN 16 AR 25	16	10	5/8"	200,0	G 1" -11	56,5	41
PN 20 AR	19	12	3/4"	250,0	G 3/4" -14	61,5	32
PN 20 AR 25	19	12	3/4"	200,0	G 1" -11	63,0	41
PN 20 AR 32	19	12	3/4"	160,0	G 1.1/4" -11	66,5	50
PN 25 AR	25	16	1"	200,0	G 1" -11	72,0	38
PN 25 AR 32	25	16	1"	160,0	G 1.1/4" -11	74,5	50
PN 32 AR	31	20	1.1/4"	160,0	G 1.1/4" -11	84,5	50
PN 40 AR	38	24	1.1/2"	125,0	G 1.1/2" -11	88,0	55

## Varijante proizvoda

PN AR VA Pritisna nazuvica, DKR ravno, plemeniti čelik