

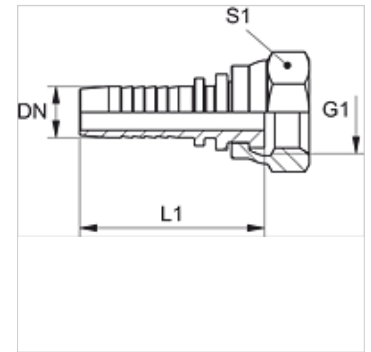
PN AR VA

Pritisna nazuvica, DKR ravno

HANSA FLEX

Osobine

Oblast primene	Pritisna nazuvica za creva HD 100 do HD 400, KP, TE
Priključak 1	BSP navoj navrtke
Oblik zaptivke 1	ravno zaptivanje
Skraćenica	DKR ravan
Materijal	plemeniti čelik



Napomena

Odgovarajući priključak molimo da odaberete prema tipu creva.

Artikal

Naziv	DN	Veličina	col	Radni pritisak (bar)	G1	S1
PN 06 AR 02 VA	6	4	1/4"	350,0	G 1/8" -28	14
PN 06 AR 10 VA	6	4	1/4"	-	G 3/8" -19	19
PN 06 AR 13 VA	6	4	1/4"	315,0	G 1/2" -14	27
PN 06 AR VA	6	4	1/4"	350,0	G 1/4" -19	17
PN 08 AR 10 VA	8	5	5/16"	350,0	G 3/8" -19	19
PN 08 AR 13 VA	8	5	5/16"	315,0	G 1/2" -14	27
PN 10 AR 06 VA	10	6	3/8"	350,0	G 1/4" -19	19
PN 10 AR 13 VA	10	6	3/8"	315,0	G 1/2" -14	27
PN 10 AR VA	10	6	3/8"	350,0	G 3/8" -19	19
PN 13 AR 10 VA	12	8	1/2"	315,0	G 3/8" -19	19
PN 13 AR 16 VA	12	8	1/2"	315,0	G 5/8" -14	27
PN 13 AR 20 VA	12	8	1/2"	250,0	G 3/4" -14	32
PN 13 AR VA	12	8	1/2"	315,0	G 1/2" -14	27
PN 16 AR 20 VA	16	10	5/8"	250,0	G 3/4" -14	32
PN 16 AR VA	16	10	5/8"	315,0	G 5/8" -14	27
PN 20 AR 25 VA	19	12	3/4"	200,0	G 1" -11	41
PN 20 AR 32 VA	19	12	3/4"	160,0	G 1.1/4" -11	50
PN 20 AR VA	19	12	3/4"	250,0	G 3/4" -14	32
PN 25 AR 32 VA	25	16	1"	60,0	G 1.1/4" -11	50
PN 25 AR VA	25	16	1"	200,0	G 1" -11	41
PN 32 AR 40 VA	31	20	1.1/4"	125,0	G 1.1/2" -11	55
PN 32 AR VA	31	20	1.1/4"	160,0	G 1.1/4" -11	50
PN 40 AR VA	38	24	1.1/2"	125,0	G 1.1/2" -11	55
PN 50 AR VA	51	32	2"	80,0	G 2" -11	70

Varijante proizvoda

PN AR Pritisna nazuvica, DKR ravno, čelik