

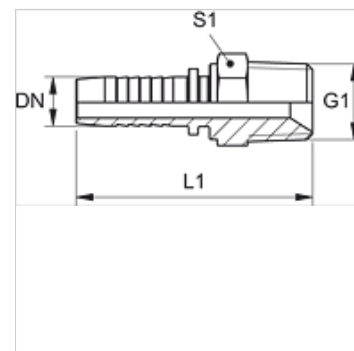
PN HBK

Pritisna nazuvica, AGR-K

HANSA FLEX

Osobine

Oblast primene	Pritisna nazuvica za creva HD 100 do HD 400, KP, TE
Priključak 1	BSP spoljni konusni navoj
Oblik zaptivke 1	zaptivanje preko navoja
Skraćenica	AGR-K
Materijal	čelik
Površinska zaštita	galvanska prevlaka



Napomena

Odgovarajući priključak molimo da odaberete prema tipu creva.

Artikal

Naziv	DN	Veličina	col	G1	L1 (mm)	S1
PN 04 HBK 02	5	3	3/16"	R 1/8" K	43,0	12
PN 04 HBK 06	5	3	3/16"	R 1/4" K	47,5	14
PN 06 HBK 02	6	4	1/4"	R 1/8" K	49,0	12
PN 06 HBK	6	4	1/4"	R 1/4" K	53,5	14
PN 06 HBK 10	6	4	1/4"	R 3/8" K	54,0	19
PN 08 HBK 06	8	5	5/16"	R 1/4" K	53,5	14
PN 08 HBK 10	8	5	5/16"	R 3/8" K	54,0	19
PN 10 HBK 06	10	6	3/8"	R 1/4" K	56,0	14
PN 10 HBK	10	6	3/8"	R 3/8" K	56,5	19
PN 10 HBK 13	10	6	3/8"	R 1/2" K	61,0	22
PN 13 HBK 10	12	8	1/2"	R 3/8" K	58,0	19
PN 13 HBK	12	8	1/2"	R 1/2" K	62,0	22
PN 13 HBK 20	12	8	1/2"	R 3/4" K	64,5	27
PN 16 HBK 13	16	10	5/8"	R 1/2" K	67,5	22
PN 16 HBK	16	10	5/8"	R 5/8" K	70,5	24
PN 16 HBK 20	16	10	5/8"	R 3/4" K	69,0	27
PN 20 HBK	19	12	3/4"	R 3/4" K	76,5	27
PN 20 HBK 25	19	12	3/4"	R 1" K	80,5	36
PN 25 HBK	25	16	1"	R 1" K	88,5	36
PN 25 HBK 32	25	16	1"	R 1.1/4" K	91,5	46
PN 32 HBK	31	20	1.1/4"	R 1.1/4" K	101,0	46
PN 32 HBK 40	31	20	1.1/4"	R 1.1/2" K	102,0	50
PN 40 HBK	38	24	1.1/2"	R 1.1/2" K	105,5	50
PN 40 HBK 50	38	24	1.1/2"	R 2" K	113,0	65
PN 50 HBK	51	32	2"	R 2" K	127,5	65

Varijante proizvoda

PN HBK VA Pritisna nazuvica, AGR-K, plemeniti čelik