

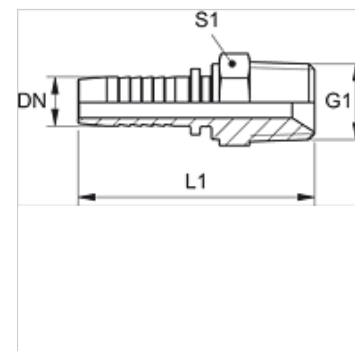
PN HN

Pritisna nazuvica, AGN

HANSA FLEX

Osobine

Oblast primene	Pritisna nazuvica za creva HD 100 do HD 400, KP, TE
Priključak 1	NPT spoljni navoj
Oblik zaptivke 1	zaptivanje navoja, dodatni unutrašnji konus 60°.
Skraćenica	AGN
Materijal	čelik
Površinska zaštita	galvanska prevlaka



Napomena

Odgovarajući priključak molimo da odaberete prema tipu creva.

Artikal

Naziv	DN	Veličina	col	Radni pritisak (bar)	G1	L1 (mm)	S1
PN 04 HN	5	3	3/16"	350,0	1/8" -27 NPT	44,0	12
PN 04 HN 06	5	3	3/16"	350,0	1/4" -18 NPT	47,5	14
PN 06 HN 02	6	4	1/4"	350,0	1/8" -27 NPT	50,0	12
PN 06 HN	6	4	1/4"	350,0	1/4" -18 NPT	53,5	14
PN 06 HN 10	6	4	1/4"	275,0	3/8" -18 NPT	54,0	19
PN 08 HN 06	8	5	5/16"	350,0	1/4" -18 NPT	53,5	14
PN 08 HN 10	8	5	5/16"	275,0	3/8" -18 NPT	54,0	19
PN 10 HN 06	10	6	3/8"	275,0	1/4" -18 NPT	55,0	16
PN 10 HN	10	6	3/8"	275,0	3/8" -18 NPT	56,5	19
PN 10 HN 13	10	6	3/8"	240,0	1/2" -14 NPT	61,0	22
PN 13 HN 10	12	8	1/2"	240,0	3/8" -18 NPT	57,5	19
PN 13 HN	12	8	1/2"	240,0	1/2" -14 NPT	62,0	22
PN 13 HN 20	12	8	1/2"	210,0	3/4" -14 NPT	64,5	27
PN 16 HN 13	16	10	5/8"	210,0	1/2" -14 NPT	68,0	24
PN 16 HN 20	16	10	5/8"	210,0	3/4" -14 NPT	68,0	27
PN 20 HN 13	19	12	3/4"	210,0	1/2" -14 NPT	74,5	27
PN 20 HN	19	12	3/4"	210,0	3/4" -14 NPT	76,5	27
PN 20 HN 25	19	12	3/4"	170,0	1" -11,5 NPT	80,5	36
PN 25 HN 20	25	16	1"	170,0	3/4" -14 NPT	84,5	36
PN 25 HN	25	16	1"	170,0	1" -11,5 NPT	88,5	36
PN 25 HN 32	25	16	1"	150,0	1.1/4" -11,5 NPT	91,5	46
PN 32 HN	31	20	1.1/4"	150,0	1.1/4" -11,5 NPT	101,0	46
PN 40 HN	38	24	1.1/2"	140,0	1.1/2" -11,5 NPT	105,5	50
PN 50 HN	51	32	2"	140,0	2" -11,5 NPT	127,5	65

Varijante proizvoda

PN HN VA Pritisna nazuvica, AGN, plemeniti čelik