

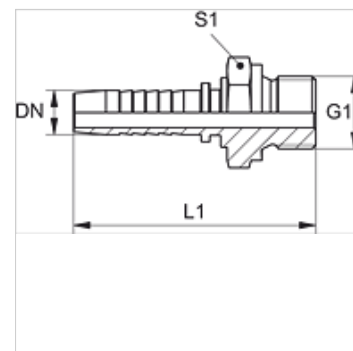
PN HR

Pritisna nazuvica, AGR ravno

HANSA FLEX

Osobine

Oblast primene	Pritisna nazuvica za creva HD 100 do HD 400, KP, TE
Priključak 1	BSP spoljni cilindrični navoj
Oblik zaptivke 1	ravno zaptivanje
Skraćenica	AGR ravan
Materijal	čelik
Površinska zaštita	galvanska prevlaka



Napomena

Odgovarajući priključak molimo da odaberete prema tipu creva.

Artikal

Naziv	DN	Veličina	col	G1	L1 (mm)	S1
PN 04 HR	5	3	3/16"	G 1/8" -28	43,5	14
PN 06 HR	6	4	1/4"	G 1/4" -19	51,5	19
PN 06 HR 10	6	4	1/4"	G 3/8" -19	54,5	22
PN 08 HR 06	8	5	5/16"	G 1/4" -19	52,0	19
PN 08 HR 10	8	5	5/16"	G 3/8" -19	55,0	22
PN 10 HR	10	6	3/8"	G 3/8" -19	56,0	22
PN 10 HR 13	10	6	3/8"	G 1/2" -14	61,0	27
PN 13 HR 10	12	8	1/2"	G 3/8" -19	57,0	22
PN 13 HR	12	8	1/2"	G 1/2" -14	62,0	27
PN 13 HR 16	12	8	1/2"	G 5/8" -14	63,0	30
PN 13 HR 20	12	8	1/2"	G 3/4" -14	66,0	32
PN 16 HR	16	10	5/8"	G 5/8" -14	67,5	30
PN 16 HR 20	16	10	5/8"	G 3/4" -14	70,5	32
PN 16 HR 25	16	10	5/8"	G 1" -11	77,0	41
PN 20 HR	19	12	3/4"	G 3/4" -14	78,0	32
PN 20 HR 25	19	12	3/4"	G 1" -11	84,5	41
PN 20 HR 32	19	12	3/4"	G 1.1/4" -11	90,5	50
PN 25 HR	25	16	1"	G 1" -11	92,0	41
PN 25 HR 32	25	16	1"	G 1.1/4" -11	98,0	50
PN 32 HR	31	20	1.1/4"	G 1.1/4" -11	107,0	50
PN 40 HR	38	24	1.1/2"	G 1.1/2" -11	112,5	55
PN 50 HR	51	32	2"	G 2" -11	134,5	70

Varijante proizvoda

PN HR VA Pritisna nazuvica, AGR ravno, plemeniti čelik