

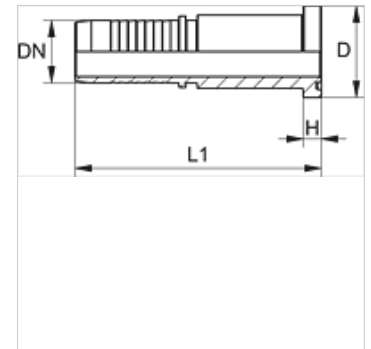
PN SF

Pritisna nazuvica, SFL

HANSA FLEX

Osobine

| | |
|---------------------------|---|
| Oblast primene | Pritisna nazuvica za creva HD 100 do HD 400, KP, TE |
| Priključak 1 | SAE priključak prirubnice 3000 PSI |
| Oblik zaptivke 1 | ravno zaptivanje sa SF O-prstenom |
| Skraćenica | SFL |
| Norma | SAE J518 ISO 6162-1 |
| Materijal | čelik |
| Površinska zaštita | galvanska prevlaka |



Napomena

Odgovarajući priključak molimo da odaberete prema tipu creva.

Artikal

| Naziv | DN | Veličina | col | Veličina spojnice | Radni pritisak (bar) | D (mm) | H (mm) | L1 (mm) |
|-------------|----|----------|--------|-------------------|----------------------|--------|--------|---------|
| PN 13 SF | 12 | 8 | 1/2" | 1/2" | 350,0 | 30,2 | 6,80 | 80,5 |
| PN 13 SF 20 | 12 | 8 | 1/2" | 3/4" | 350,0 | 38,1 | 6,80 | 85,5 |
| PN 16 SF 13 | 16 | 10 | 5/8" | 1/2" | 350,0 | 30,2 | 6,80 | 85,0 |
| PN 16 SF 20 | 16 | 10 | 5/8" | 3/4" | 350,0 | 38,1 | 6,80 | 90,0 |
| PN 16 SF 25 | 16 | 10 | 5/8" | 1" | 320,0 | 44,4 | 8,10 | 97,5 |
| PN 20 SF 13 | 19 | 12 | 3/4" | 1/2" | 350,0 | 30,2 | 6,80 | 91,0 |
| PN 20 SF | 19 | 12 | 3/4" | 3/4" | 350,0 | 38,1 | 6,80 | 96,5 |
| PN 20 SF 25 | 19 | 12 | 3/4" | 1" | 320,0 | 44,4 | 8,10 | 99,5 |
| PN 25 SF 20 | 25 | 16 | 1" | 3/4" | 320,0 | 38,1 | 6,80 | 104,5 |
| PN 25 SF | 25 | 16 | 1" | 1" | 320,0 | 44,4 | 8,10 | 110,5 |
| PN 25 SF 32 | 25 | 16 | 1" | 1.1/4" | 280,0 | 50,8 | 8,10 | 113,5 |
| PN 32 SF 25 | 31 | 20 | 1.1/4" | 1" | - | 44,4 | 8,10 | 118,0 |
| PN 32 SF | 31 | 20 | 1.1/4" | 1.1/4" | - | 50,8 | 8,10 | 125,5 |
| PN 32 SF 40 | 31 | 20 | 1.1/4" | 1.1/2" | 210,0 | 60,3 | 8,10 | 128,5 |
| PN 40 SF 32 | 38 | 24 | 1.1/2" | 1.1/4" | 210,0 | 50,8 | 8,10 | 129,0 |
| PN 40 SF | 38 | 24 | 1.1/2" | 1.1/2" | 210,0 | 60,3 | 8,10 | 135,0 |
| PN 40 SF 50 | 38 | 24 | 1.1/2" | 2" | 210,0 | 71,4 | 9,60 | 138,0 |
| PN 50 SF 40 | 51 | 32 | 2" | 1.1/2" | 210,0 | 60,3 | 8,10 | 149,5 |
| PN 50 SF | 51 | 32 | 2" | 2" | 210,0 | 71,4 | 9,60 | 153,0 |
| PN 50 SF 60 | 51 | 32 | 2" | 2.1/2" | 175,0 | 84,0 | 9,60 | 156,0 |
| PN 60 SF 50 | 60 | 40 | 2.3/8" | 2" | 175,0 | 71,4 | 9,60 | 155,5 |
| PN 60 SF | 60 | 40 | 2.3/8" | 2.1/2" | 175,0 | 84,1 | 9,60 | 158,5 |
| PN 76 SF | 76 | 48 | 3" | 3" | 160,0 | 101,6 | 9,53 | 150,0 |
| PN 76 SF 60 | 76 | 48 | 3" | 2.1/2" | 160,0 | 84,0 | 9,53 | 166,0 |

Varijante proizvoda

PN SF VA Pritisna nazuvica, SFL, plemeniti čelik