

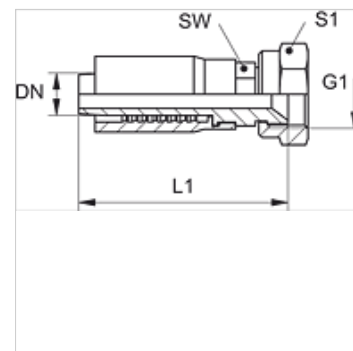
TRP AJ

Utična armatura, DKJ

HANSA FLEX

Osobine

Priključak 1	UN/UNF navoj navrtke
Oblik zaptivke 1	74° unutrašnji konus
Skraćenica	DKJ
Norma	ISO 8434-2
Obim isporuke	Pritisna nazuvica + pritisni priključak
Materijal	čelik
Površinska zaštita	galvanska prevlaka



Artikal

Naziv	DN	Veličina	col	G1	L1 (mm)	SW (mm)	S1
TRP 04 AJ 06	5	3	3/16"	7/16" -20 UNF	55,0	14	17
TRP 06 AJ	6	4	1/4"	7/16" -20 UNF	61,0	14	17
TRP 06 AJ 08	6	4	1/4"	1/2" -20 UNF	61,0	14	17
TRP 06 AJ 10	6	4	1/4"	9/16" -18 UNF	61,0	14	19
TRP 08 AJ 10	8	5	5/16"	9/16" -18 UNF	64,0	17	19
TRP 10 AJ	10	6	3/8"	9/16" -18 UNF	69,0	19	19