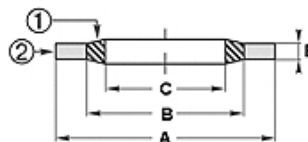
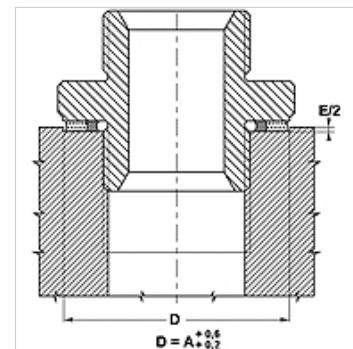


Osobine

Konstrukcija	Usit prsten
Dodatak za vrstu konstrukciju	sa vulkanizovanim zaptivnim zadebljanjem, u obliku trapeza, od elastične gume
Temperatura min.	-30 °C
Temperatura max.	110 °C
Materijal	(1) NBR (2) kadmiranje (oslojavanje kadmijumom) ili pasivni mlaz ugljen dioksidom
Površinska zaštita	Metalni prsten: cink hromiran



Toleranz / Tolerance				
Baureihe / Range	A	B	C	E
0; 2; 3	+0,13 0	+/-0,13	+/-0,13	+/-0,15
5	0 -0,20	+0,20 0	+0,20 0	+/-0,15



Opis

perfektna zaptivenost
sprečava opuštanje delova

Artikal

Naziv	za navoj	za navoj	za navoj	A (mm)	B (mm)	C (mm)	E (mm)	Pritisak PB (bar)
UR 5.7-9-1	-		M 5	9,00	6,80	5,70	1,00	1400
UR 6.2-9.2-1	-		M 5,5	9,20	7,20	6,20	1,00	1220
08BS 304	-		M 6	11,00	8,00	6,60	1,00	1680
08BS 206	-		M 6	10,00	8,00	6,70	1,00	1130
UR 6.7-11-1	-		M 6	11,00	8,20	6,70	1,00	1510
UR 6.9-13.2-1.3	-	1/4 inch	-	13,21	8,00	6,86	1,30	2450
UR 7-13.4-1.3	-	1/4 inch	-	13,34	9,53	6,99	1,30	1700
08BS 306	-		M 6	11,40	8,40	7,00	1,00	1540
08BS 006	-	5/16 inch	-	13,34	9,53	8,31	1,30	1700
UR 8.5-13.4-1	-		M 8	13,00	9,40	8,50	1,00	1780
08BS 007	-	5/16 inch	-	14,22	10,04	8,64	1,30	1750
UR 8.7-13-1	-		M 8	13,00	10,00	8,70	1,00	1330
UR 8.7-14-1	-		M 8	14,00	10,40	8,70	1,00	1550
UR 8.7-14.2-1.3	-	5/16 inch	-	14,20	10,04	8,70	1,30	1750
UR 9.3-13.3-1	-		-	13,00	10,50	9,30	1,00	1200
UR 10.35-16-2	-		M 10	16,00	12,00	10,35	2,00	1470
08BS 020	G 1/8"	3/8 inch	-	15,88	11,84	10,37	2,00	1500
08BS 510	G 1/8"		-	14,70	12,00	10,40	1,25	930
UR 10.7-16-1.5	-		M 10	16,00	12,40	10,70	1,50	1350
08BS 310	-		M 10	17,00	12,10	10,70	1,50	1730
UR 10.7-18-1.5	-		M 10	18,00	12,40	10,70	1,50	1880
08BS 008	-	7/16 inch	-	18,36	12,45	11,26	2,00	1950
UR 11.4-16.3-1.5	-		M 11	16,30	12,70	11,40	1,50	1280
08BS 009	-	7/16 inch	-	19,05	13,08	11,69	2,00	1900
UR 11.8-18.5-1.5	-		M 11	18,50	13,70	11,80	1,50	1540
UR 11.8-19.1-1.5	-		M 11	19,10	13,50	11,80	1,50	1770
UR 12.7-18-1.5	-		M 12	18,00	14,40	12,70	1,50	1250
08BS 313	-		M 12	19,00	14,10	12,70	1,50	1530
UR 12.7-20-1.5	-		M 12	20,00	14,00	12,70	1,50	1680
UR 13.7-20-1.5	-		M 13	20,00	15,40	13,70	1,50	1340
UR 13.7-22-1.5	-		M 13	22,00	15,40	13,70	1,50	1810
08BS 021	G 1/4"	1/2 inch	-	20,57	15,21	13,74	2,00	1550
08BS 315	-		-	20,10	15,20	13,80	1,50	1440
08BS 511	G 1/4"		-	18,70	15,75	13,90	1,25	793
UR 14-18.7-1.5	-		-	18,70	15,70	14,00	1,50	900
08BS 316	-		M 14	21,00	16,10	14,70	1,50	1370
UR 14.7-22-1.5	-		M 14	22,00	16,40	14,70	1,50	1510
08BS 022	-	19/32 inch	-	22,23	17,30	15,83	2,00	1310
UR 16-22.7-1.5	-		M 15	22,00	17,78	16,00	1,50	1260
08BS 011	-	5/8 inch	-	25,40	18,75	16,51	2,00	1550
08BS 317	-		M 16	23,00	18,10	16,70	1,50	1240
UR 16.7-24-1.5	-		M 16	24,00	18,40	16,70	1,50	1400
08BS 023	G 3/8"		-	23,80	18,75	17,28	2,00	1260
08BS 512	G 3/8"		-	22,70	19,25	17,30	1,25	775
UR 17.4-24-1.5	-		M 17	24,00	19,20	17,40	1,50	1150

Artikal								
Naziv	za navoj	za navoj	za navoj	A (mm)	B (mm)	C (mm)	E (mm)	Pritisak PB (bar)
UR 18-24.7-1.5	-		-	24,70	20,10	18,00	1,50	1070
UR 18.2-25.4-2.5	-	11/16 inch	-	25,40	16,69	18,16	2,50	1320
UR 18.7-26-1.5	-		M 18	26,00	20,40	18,70	1,50	1275
08BS 320	-		M 18	27,00	20,40	18,70	2,00	1450
08BS 024	-	3/4 inch	-	26,92	21,21	19,69	2,50	1260
UR 20.7-28-1.5	-		M 20	28,00	22,50	20,70	1,50	1150
08BS 321	-		M 20	29,00	22,40	20,70	2,00	1340
UR 21.5-28.7-2.5	-		M 21	28,70	23,30	21,50	2,50	1080
08BS 025	G 1/2"	13/16 inch	-	28,58	23,01	21,54	2,50	1150
08BS 513	G 1/2"		-	26,70	23,55	21,70	1,25	586
08BS 323	-		-	30,00	23,40	21,70	2,00	1290
UR 22.5-28-1.5	-		M 22	28,00	24,20	22,50	1,50	760
UR 22.7-30-2	-		M 22	30,00	24,40	22,70	2,00	1100
08BS 324	-		M 22	31,00	24,40	22,70	2,00	1240
08BS 026	-		-	31,75	24,97	23,49	2,50	1250
08BS 013	-	15/16 inch	-	33,27	26,40	24,26	2,50	1275
UR 24.7-32-2	-		M 24	32,00	26,40	24,70	2,00	1050
08BS 326	-		M 24	33,00	26,40	24,70	2,00	1160
UR 26.7-35-2	-		-	35,00	28,40	26,70	2,00	1050
UR 27-35-2.5	G 3/4"	1 inch	-	34,93	28,53	27,05	2,50	1060
08BS 514	-	5/8 inch	-	32,50	29,20	27,30	1,25	500
08BS 328	-		M 27	36,00	29,40	27,70	2,00	1060
08BS 028	-	1.1/16 inch	-	38,61	30,61	27,82	2,50	1250
08BS 329	-		-	36,00	30,30	28,60	2,00	730
08BS 014	-	1.1/8 inch	-	36,58	30,86	29,33	2,50	900
08BS 331	-		M 30	39,00	32,40	30,70	2,00	970
08BS 029	G 7/8"	1.3/16 inch	-	38,10	32,29	30,81	2,50	900
UR 31-39-2	-		M 30	39,00	32,40	31,00	2,00	970
08BS 015	-	1.1/4 inch	-	41,40	35,69	32,64	3,40	810
UR 33.7-42-2	-		M 33	42,00	35,40	33,70	2,00	900
UR 33.9-42.9-3.4	G 1"	1.5/16 inch	-	42,80	36,88	33,89	3,40	790
08BS 515	-	1 inch	-	39,50	36,10	34,20	2,00	414
UR 34.3-43-2	-		M 33	43,00	36,40	34,30	2,00	880
08BS 016	-	1.3/8 inch	-	44,45	38,99	35,94	3,40	700
UR 36.7-46-2	-		M 36	46,00	38,80	36,70	2,00	890
08BS 333	-		-	48,00	39,60	37,00	2,50	1010
08BS 017	-	1.1/2 inch	-	47,75	42,04	38,96	3,40	700
UR 40-51-2.5	-		M 39	51,00	42,60	40,00	2,50	970
UR 42.7-53-3	-		M 42	53,00	44,00	42,70	3,00	800
08BS 516	G 1.1/4"		-	49,50	44,70	42,80	2,00	500
08BS 032	G 1.1/4"	1.5/8 inch	-	52,38	45,93	42,93	3,40	690
08BS 018	-	1.3/4 inch	-	57,15	48,39	45,34	3,40	875
08BS 033	G 1.1/2"	1.7/8 inch	-	58,60	51,39	48,44	3,40	690
08BS 517	-	1.1/2 inch	M 48	55,50	50,60	48,70	2,00	434
UR 48.7-59-3	-		M 48	59,00	50,80	48,70	3,00	800
08BS 337	-		M 48	60,00	51,60	49,00	2,50	790
UR 53.3-64.5-3	-		M 52	64,50	56,40	53,30	3,00	710
08BS 034	G 1.3/4"	2.1/8 inch	-	69,85	58,30	54,89	3,40	950
08BS 035	-	2.1/4 inch	-	70,36	61,09	58,04	3,40	740
08BS 518	G 2"		-	68,50	62,40	60,50	2,00	448
08BS 036	G 2"		-	73,03	63,63	60,58	3,40	700
UR 60.7-73-3	-		M 60	73,00	63,00	60,70	3,00	780
08BS 037	-	2.1 / 5,08 cm	-	77,72	67,44	64,39	3,40	750
08BS 038	G 2.1/4"		-	79,50	69,98	66,68	3,40	670
08BS 039	G 2.1/2"		-	90,30	79,38	76,08	3,40	680