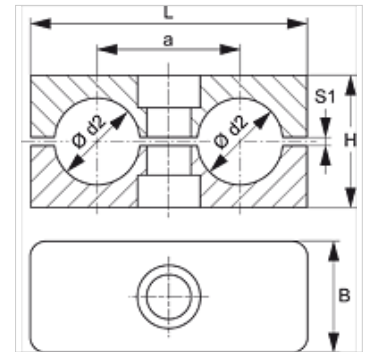


# SRS 1-5 D PP G

## Cevna obujmica, duple cevi

### Osobine

|                               |                                   |
|-------------------------------|-----------------------------------|
| Konstrukcija                  | Dupla cevna obujmica              |
| Dodatak za vrstu konstrukciju | Glatka unutrašnja strana obujmice |
| Norma                         | DIN 3015-3                        |
| Temperatura min.              | -30 °C                            |
| Temperatura max.              | 90 °C                             |
| Materijal                     | Polipropilen                      |



### Napomena

Za držač creva i kabla preporučuje se upotreba obujmice sa glatkom unutrašnjom površinom. Montaža se odvija bez prednaprezanja, pri čemu se visina bloka H smanjuje za zazor S1.

### Napomene u vezi porudžbine

1 komad = 2 polovice obujmice

### Artikal

| Naziv            | Veličina obujmice | Cev spolja Ø d2 (mm) | Cev spolja Ø d2 | a (mm) | B (mm) | H (mm) | L (mm) | S1 (mm) |
|------------------|-------------------|----------------------|-----------------|--------|--------|--------|--------|---------|
| SRS 106 D PP G   | 1                 | 6,0                  | -               | 20     | 30     | 27     | 36     | 1,0     |
| SRS 106.4 D PP G | 1                 | 6,4                  | 1/4"            | 20     | 30     | 27     | 36     | 1,0     |
| SRS 108 D PP G   | 1                 | 8,0                  | 5/16"           | 20     | 30     | 27     | 36     | 1,0     |
| SRS 109.5 D PP G | 1                 | 9,5                  | 3/8"            | 20     | 30     | 27     | 36     | 1,0     |
| SRS 110 D PP G   | 1                 | 10,0                 | -               | 20     | 30     | 27     | 36     | 1,0     |
| SRS 112 D PP G   | 1                 | 12,0                 | -               | 20     | 30     | 27     | 36     | 1,0     |
| SRS 212.7 D PP G | 2                 | 12,7                 | 1/2"            | 29     | 30     | 26     | 53     | 1,2     |
| SRS 213.5 D PP G | 2                 | 13,5                 | -               | 29     | 30     | 26     | 53     | 1,2     |
| SRS 214 D PP G   | 2                 | 14,0                 | -               | 29     | 30     | 26     | 53     | 1,2     |
| SRS 215 D PP G   | 2                 | 15,0                 | -               | 29     | 30     | 26     | 53     | 1,2     |
| SRS 216 D PP G   | 2                 | 16,0                 | 5/8"            | 29     | 30     | 26     | 53     | 1,2     |
| SRS 217.2 D PPG  | 2                 | 17,2                 | -               | 29     | 30     | 26     | 53     | 1,2     |
| SRS 218 D PP G   | 2                 | 18,0                 | -               | 29     | 30     | 26     | 53     | 1,2     |
| SRS 319 D PP G   | 3                 | 19,0                 | 3/4"            | 36     | 30     | 37     | 67     | 1,6     |
| SRS 320 D PP G   | 3                 | 20,0                 | -               | 36     | 30     | 37     | 67     | 1,6     |
| SRS 321.3 D PP G | 3                 | 21,3                 | -               | 36     | 30     | 37     | 67     | 1,6     |
| SRS 322 D PP G   | 3                 | 22,0                 | -               | 36     | 30     | 37     | 67     | 1,6     |
| SRS 325 D PP G   | 3                 | 25,0                 | 1"              | 36     | 30     | 37     | 67     | 1,6     |
| SRS 426.9 D PP G | 4                 | 26,9                 | -               | 45     | 30     | 42     | 82     | 2,0     |
| SRS 428 D PP G   | 4                 | 28,0                 | -               | 45     | 30     | 42     | 82     | 2,0     |
| SRS 430 D PP G   | 4                 | 30,0                 | -               | 45     | 30     | 42     | 82     | 2,0     |
| SRS 532 D PP G   | 5                 | 32,0                 | 1.1/4"          | 56     | 30     | 54     | 106    | 2,0     |
| SRS 533.7 D PP G | 5                 | 33,7                 | -               | 56     | 30     | 54     | 106    | 2,0     |
| SRS 535 D PP G   | 5                 | 35,0                 | -               | 56     | 30     | 54     | 106    | 2,0     |
| SRS 538 D PP G   | 5                 | 38,0                 | 1.1/2"          | 56     | 30     | 54     | 106    | 2,0     |
| SRS 542 D PP G   | 5                 | 42,0                 | -               | 56     | 30     | 54     | 106    | 2,0     |

### Varijante proizvoda

|              |   |
|--------------|---|
| SRS 1-5 D PA | Cevna obujmica, duple cevi, Unutrašnja strana obujmice sa rebrima |
| SRS 1-5 D PP | Cevna obujmica, duple cevi, Unutrašnja strana obujmice sa rebrima |
| SRS 1-5 D VG | Cevna obujmica, duple cevi, Glatka unutrašnja strana obujmice     |