

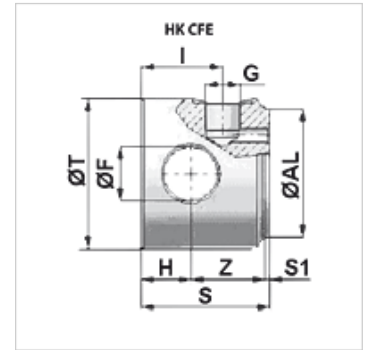
# HK CFE

Dno cilindra sa ulazom za ulje

**HANSA FLEX**

## Osobine

Materijal Čelik S355J0 (Fe510C)



## Artikal

| Naziv            | Ø AL<br>(mm) | Ø F<br>(mm) | Ø T<br>(mm) | G      | H<br>(mm) | I<br>(mm) | S<br>(mm) | S1<br>(mm) | Z<br>(mm) | Težina<br>(kg) |
|------------------|--------------|-------------|-------------|--------|-----------|-----------|-----------|------------|-----------|----------------|
| HK CFE 040 050 4 | 40           | 16,20       | 50          | G 1/4" | 15        | 30,0      | 50        | 2          | 33        | 0,60           |
| HK CFE 050 060 6 | 50           | 20,25       | 60          | G 3/8" | 20        | 38,0      | 60        | 2          | 38        | 1,10           |
| HK CFE 060 070 6 | 60           | 25,25       | 70          | G 3/8" | 23        | 38,0      | 60        | 2          | 35        | 1,40           |
| HK CFE 070 080 6 | 70           | 25,25       | 80          | G 3/8" | 23        | 38,0      | 60        | 2          | 35        | 1,95           |
| HK CFE 080 095 8 | 80           | 30,25       | 95          | G 1/2" | 25        | 47,0      | 75        | 2          | 48        | 2,50           |
| HK CFE 100 115 8 | 100          | 35,25       | 115         | G 1/2" | 30        | 47,0      | 75        | 2          | 43        | 4,50           |