

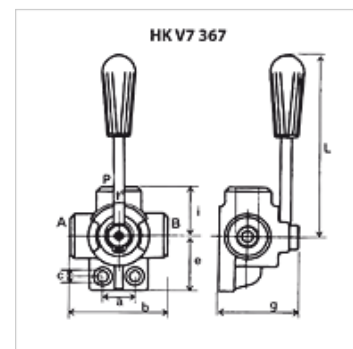
# HK V7 367

3/3-račvasti preklopni ventil

**HANSA FLEX**

## Osobine

<b>Verzija</b>	Tip A - srednji položaj otvoren Tip C - srednji položaj zatvoren
<b>Materijal</b>	Kućište: liv, unutrašnji delovi od čelika



## Napomena

Rotary slide valves can be pressurised from all sides and are designed to have less internal leakage

## Artikal

Naziv	Pritisak max. (bar)	Priključci	Q max. (L/min)	a (mm)	b (mm)	C (mm)	e (mm)	g (mm)	i (mm)	L (mm)	Težina (kg)
HK V7 367 A06	250	3/8"	40	24	73	8,5	42	62	36	110	0,92
HK V7 367 A08	250	1/2"	60	30	85	11,0	53	70	43	120	1,46
HK V7 367 A12	220	3/4"	120	32	91	11,0	54	80	47	125	1,86
HK V7 367 A16	220	1"	180	32	98	11,0	64	90	51	130	2,56
HK V7 367 C06	250	3/8"	40	24	73	8,5	42	62	36	110	0,92
HK V7 367 C08	250	1/2"	60	30	85	11,0	53	70	43	120	1,46
HK V7 367 C12	220	3/4"	120	32	91	11,0	54	80	47	125	1,86
HK V7 367 C16	220	1"	180	32	98	11,0	64	90	51	130	2,56