

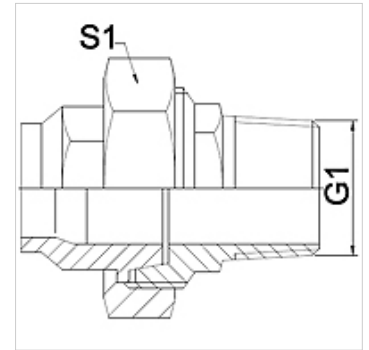
# WA VC

Priključni deo ... VC temper liv

**HANSA FLEX**

## Osobine

|                         |                                                  |
|-------------------------|--------------------------------------------------|
| <b>Oblast primene</b>   | Priključna armatura za metalna creva             |
| <b>Priključak 1</b>     | colovani spoljašnji konusni navoj                |
| <b>Oblik zaptivke 1</b> | konusno zaptivanje                               |
| <b>Norma</b>            | DIN EN 10226 / ISO 7-1                           |
| <b>Primena</b>          | model sa lemom postojan na temperaturi do 200 °C |
| <b>Konstrukcija</b>     | pravo                                            |
| <b>Verzija</b>          | 3-delni navojni spoj                             |
| <b>Materijal</b>        | Temper liv                                       |



## Napomena

Navedene širine ključeva predstavljaju orijentacione vrednosti!

The specified working pressure PN(bar) relates to the working temperature of -20 °C to 120 °C. At working temperature of 120 °C to 200 °C the working pressure PN (bar) reduces to 22,7 bar.

## Napomene u vezi porudžbine

Ostali modeli na zahtev

## Artikal

| Naziv     | DN | PN (bar) | G1       | S1<br>(mm) |
|-----------|----|----------|----------|------------|
| WA 006 VC | 6  | 25       | R 1/4"   | 28,0       |
| WA 010 VC | 10 | 25       | R 3/8"   | 32,0       |
| WA 013 VC | 13 | 25       | R 1/2"   | 39,0       |
| WA 020 VC | 20 | 25       | R 3/4"   | 48,0       |
| WA 025 VC | 25 | 25       | R 1"     | 55,0       |
| WA 032 VC | 32 | 25       | R 1.1/4" | 67,0       |
| WA 040 VC | 40 | 25       | R 1.1/2" | 74,0       |
| WA 050 VC | 50 | 25       | R 2"     | 90,0       |

## Varijante proizvoda

|                 |                                                  |
|-----------------|--------------------------------------------------|
| <b>WA VC RG</b> | Priključni deo ... VC, crveni mesing, Crveni liv |
| <b>WA VC VA</b> | Priključni deo ... VC, VA, plemeniti čelik       |