

TRI KLAMMER VA

Clamp bracket, VA

HANSA FLEX

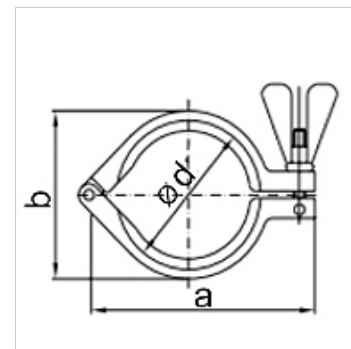
Osobine

Primena Clamping components for TRI-clamp connections

Norma DIN 32676

Verzija Clamp stainless steel

Materijal plemeniti čelik



Napomene u vezi porudžbine

Ostali modeli na zahtev

Artikal

| Naziv | a (mm) | b (mm) | Ø d (mm) |
|---------------------|-----------|-----------|-------------|
| TRI KLAMMER 34 VA | 63,0 | 45,0 | 34,0 |
| TRI KLAMMER 50.5 VA | 88,0 | 64,0 | 50,5 |
| TRI KLAMMER 64 VA | 105,0 | 77,0 | 64,0 |
| TRI KLAMMER 91 VA | 137,0 | 104,0 | 91,0 |
| TRI KLAMMER 119 VA | 168,0 | 132,0 | 119,0 |