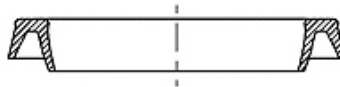
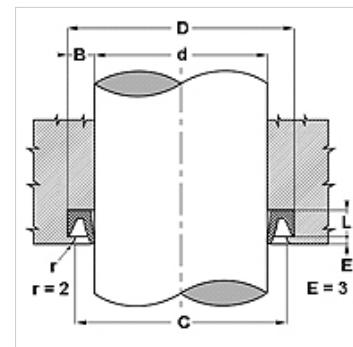


Osobine

| | |
|------------------|------------------------------------|
| Konstrukcija | Skidač |
| Brzina max. | 4,0 m/s |
| Temperatura min. | -30 °C |
| Temperatura max. | 110 °C |
| Mediji | Mineralna ulja |
| Montaža | Skidač pritisnuti u prihvatni žleb |
| Materijal | Skidač: PA + MoS2 |
| Primena | Hidraulika |



| Toleranz / Tolerance | | | |
|----------------------|------------|------------|------------|
| d | D | L | C |
| h11 | +0,20 0 | +0,25 0 | +0,10 0 |



Opis

jednostavna montaža
 Jednostavno rešenje.
 veoma otporno na habanje

Artikal

| Naziv | d (mm) | D (mm) | L (mm) | C (mm) |
|---------|-----------|-----------|-----------|-----------|
| NW 500 | 12,70 | 22,22 | 4,4 | 20,62 |
| NW 16 | 16,00 | 26,00 | 4,5 | 24,50 |
| NW 750 | 19,05 | 31,75 | 6,0 | 30,15 |
| NW 20 | 20,00 | 33,00 | 6,0 | 31,50 |
| NW 875 | 22,22 | 34,92 | 6,0 | 33,32 |
| NW 25 | 25,00 | 38,00 | 6,0 | 36,50 |
| NW 1000 | 25,40 | 38,10 | 6,0 | 36,50 |
| NW 1125 | 28,57 | 41,27 | 6,0 | 99,70 |
| NW 1250 | 31,80 | 44,45 | 6,0 | 72,29 |
| NW 1500 | 38,10 | 50,80 | 6,0 | 49,20 |
| NW 1750 | 44,45 | 57,15 | 6,0 | 52,37 |
| NW 50 | 50,00 | 63,00 | 6,0 | 61,50 |
| NW 2000 | 50,80 | 63,50 | 6,0 | 61,90 |
| NW 2500 | 63,50 | 76,20 | 6,0 | 74,60 |
| NW 2750 | 69,85 | 82,55 | 6,0 | 80,65 |
| NW 70 | 70,00 | 83,00 | 6,0 | 81,50 |
| NW 3000 | 76,20 | 88,90 | 6,0 | 87,30 |