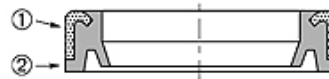
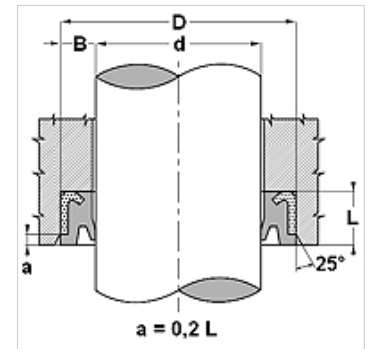


Osobine

| | |
|------------------|-------------------------------------|
| Konstrukcija | Skidač |
| Brzina max. | 0,5 m/s |
| Temperatura min. | -30 °C |
| Temperatura max. | 80 °C |
| Mediji | Mineralna ulja |
| Montaža | utiskuje se u otvoreni žleb |
| Verzija | Metrički |
| Materijal | (1) Čaura: čelik (2) Skidač: PUR |
| Primena | Hidraulika |



| Toleranz / Tolerance | | |
|----------------------|----|------------|
| d | D | L |
| h11 | H8 | +0,20 0 |



Opis

Mala potreba za prostorom
veoma otporno na habanje
za uređaje za guranje zemlje i teške uslove rada

Artikal

| Naziv | d (mm) | D (mm) | L (mm) |
|---------------|-----------|-----------|-----------|
| SWP 25 38 | 25,0 | 38,0 | 7,5 |
| SWP 30 40 | 30,0 | 40,0 | 4,0 |
| SWP 30 43 | 30,0 | 43,0 | 7,5 |
| SWP 35 45 | 35,0 | 45,0 | 4,0 |
| SWP 35 50 | 35,0 | 50,0 | 7,5 |
| SWP 36 48 | 36,0 | 48,0 | 6,0 |
| SWP 38 50 | 38,0 | 50,0 | 7,5 |
| SWP 40 50 | 40,0 | 50,0 | 4,0 |
| SWP 40 52 | 40,0 | 52,0 | 6,0 |
| SWP 45 55 | 45,0 | 55,0 | 4,0 |
| SWP 45 60 | 45,0 | 60,0 | 7,5 |
| SWP 50 60 | 50,0 | 60,0 | 4,0 |
| SWP 50 65 | 50,0 | 65,0 | 7,5 |
| SWP 55 65 | 55,0 | 65,0 | 3,2 |
| SWP 55 68 | 55,0 | 68,0 | 4,0 |
| SWP 55 70 | 55,0 | 70,0 | 7,5 |
| SWP 56 70 | 56,0 | 70,0 | 7,5 |
| SWP 60 70 | 60,0 | 70,0 | 7,0 |
| SWP 60 75-1 | 60,0 | 75,0 | 4,0 |
| SWP 60 75 | 60,0 | 75,0 | 7,5 |
| SWP 63 78 | 63,0 | 78,0 | 7,5 |
| SWP 65 80-1 | 65,0 | 80,0 | 5,0 |
| SWP 65 80 | 65,0 | 80,0 | 7,5 |
| SWP 70 80 | 70,0 | 80,0 | 5,0 |
| SWP 70 84 | 70,0 | 84,0 | 7,5 |
| SWP 70 85-1 | 70,0 | 85,0 | 4,0 |
| SWP 70 85 | 70,0 | 85,0 | 7,5 |
| SWP 71 86 | 71,0 | 86,0 | 5,0 |
| SWP 75 90 | 75,0 | 90,0 | 7,5 |
| SWP 75 95 | 75,0 | 95,0 | 10,0 |
| SWP 76 96 | 76,5 | 96,5 | 10,0 |
| SWP 80 94 | 80,0 | 94,0 | 8,0 |
| SWP 80 95-1 | 80,0 | 95,0 | 5,0 |
| SWP 80 95 | 80,0 | 95,0 | 7,5 |
| SWP 80 100 | 80,0 | 100,0 | 10,0 |
| SWP 85 100 | 85,0 | 100,0 | 10,0 |
| SWP 85 105 | 85,0 | 105,0 | 10,0 |
| SWP 90 104 | 90,0 | 104,0 | 8,0 |
| SWP 90 105 | 90,0 | 105,0 | 6,0 |
| SWP 90 110 | 90,0 | 110,0 | 10,0 |
| SWP 95 115 | 95,0 | 115,0 | 10,0 |
| SWP 100 115-2 | 100,0 | 115,0 | 4,0 |
| SWP 100 115-1 | 100,0 | 115,0 | 6,5 |



Artikal

| Naziv | d (mm) | D (mm) | L (mm) |
|-------------|-----------|-----------|-----------|
| SWP 100 115 | 100,0 | 115,0 | 7,5 |
| SWP 100 120 | 100,0 | 120,0 | 10,0 |
| SWP 105 120 | 105,0 | 120,0 | 7,5 |
| SWP 110 125 | 110,0 | 125,0 | 9,0 |
| SWP 110 130 | 110,0 | 130,0 | 10,0 |
| SWP 115 130 | 115,0 | 130,0 | 7,5 |
| SWP 120 140 | 120,0 | 140,0 | 10,0 |
| SWP 130 145 | 130,0 | 145,0 | 7,5 |
| SWP 160 175 | 160,0 | 175,0 | 10,0 |