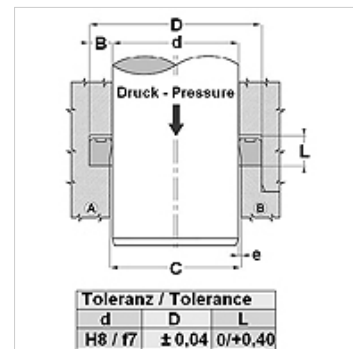


Osobine

| | |
|------------------|---|
| Konstrukcija | Žlebasti prsten šipke |
| Radni pritisak | maks. do 400 bara |
| Brzina max. | 0,5 m/s |
| Temperatura min. | -30 °C |
| Temperatura max. | 80 °C |
| Mediji | Mineralna ulja |
| Montaža | u otvorenim žlebovima B u zatvorenim žlebovima u otvorenim prostorima ugradnje |
| Materijal | PUR |
| Primena | Hidraulika |



| Spaltmaß / Clearance | | e (mm) | | | |
|----------------------|--------|-----------|--------|-------------------|-------|
| | | TS-TS...L | | TS...-AI-TS...-LA | |
| Druck bar | d<60mm | d>60mm | d<60mm | d>60mm | |
| | 50 | <0,40 | <0,50 | <0,60 | <0,80 |
| 100 | <0,30 | <0,40 | <0,60 | <0,80 | |
| 200 | <0,20 | <0,30 | <0,40 | <0,60 | |
| 300 | <0,15 | <0,20 | <0,30 | <0,40 | |
| 400 | <0,10 | <0,15 | <0,20 | <0,30 | |
| 500 | | | <0,10 | <0,15 | |



Opis

veoma otporno na habanje
Veoma dobro zaptivanje kod niskog pritiska.
Brza promena opterećenja.

Napomene u vezi porudžbine

U mogućnosti smo da kratkoročno izradimo zaptivke prečnika 20 do 510 mm.

Artikal

| Naziv | d (mm) | D (mm) | L (mm) |
|-------------|--------|--------|--------|
| TS 06 14-L | 6,0 | 14,0 | 6,3 |
| TS 08 16-L | 8,0 | 16,0 | 6,3 |
| TS 10 16-L | 10,0 | 16,0 | 5,4 |
| TS 10 18-L | 10,0 | 18,0 | 6,3 |
| TS 12 19-L | 12,0 | 19,0 | 6,3 |
| TS 12 20-L | 12,0 | 20,0 | 6,3 |
| TS 12 23-L | 12,0 | 23,0 | 7,5 |
| TS 14 20-L | 14,0 | 20,0 | 5,3 |
| TS 14 22-L | 14,0 | 22,0 | 6,3 |
| TS 16 24-L | 16,0 | 24,0 | 6,3 |
| TS 18 24-L | 18,0 | 24,0 | 5,2 |
| TS 18 25-L | 18,0 | 25,0 | 5,7 |
| TS 18 26-L | 18,0 | 26,0 | 6,3 |
| TS 18 26-L1 | 18,0 | 26,0 | 9,0 |
| TS 18 28-L | 18,0 | 28,0 | 6,3 |
| TS 18 28-L1 | 18,0 | 28,0 | 8,0 |
| TS 20 26-L | 20,0 | 26,0 | 6,0 |
| TS 20 28-L | 20,0 | 28,0 | 6,3 |
| TS 20 28-L1 | 20,0 | 28,0 | 8,0 |
| TS 20 30-L3 | 20,0 | 30,0 | 5,0 |
| TS 20 30-L | 20,0 | 30,0 | 8,0 |
| TS 22 30-L1 | 22,0 | 30,0 | 6,3 |
| TS 22 32-L | 22,0 | 32,0 | 8,0 |
| TS 22 32-L1 | 22,0 | 32,0 | 9,0 |
| TS 24 34-L | 24,0 | 34,0 | 6,5 |
| TS 25 33-L | 25,0 | 33,0 | 6,3 |
| TS 25 33-L2 | 25,0 | 33,0 | 7,5 |
| TS 25 33-L3 | 25,0 | 33,0 | 8,0 |
| TS 25 33-L1 | 25,0 | 33,0 | 9,0 |
| TS 25 35-L3 | 25,0 | 35,0 | 6,3 |
| TS 25 35-L1 | 25,0 | 35,0 | 8,0 |
| TS 25 35-L4 | 25,0 | 35,0 | 9,0 |
| TS 28 34-L | 28,0 | 34,2 | 6,0 |
| TS 28 36-L1 | 28,0 | 28,0 | 6,3 |
| TS 28 36-L | 28,0 | 36,0 | 9,0 |
| TS 28 38-L | 28,0 | 38,0 | 6,3 |
| TS 28 38-L1 | 28,0 | 38,0 | 8,0 |
| TS 30 38-L1 | 30,0 | 38,0 | 6,3 |



| Artikal | | | |
|-------------|-----------|-----------|-----------|
| Naziv | d (mm) | D (mm) | L (mm) |
| TS 30 38-L2 | 30,0 | 38,0 | 8,0 |
| TS 30 40-L | 30,0 | 40,0 | 7,5 |
| TS 30 40-L2 | 30,0 | 40,0 | 11,0 |
| TS 32 40-L1 | 32,0 | 40,0 | 6,3 |
| TS 32 40-L | 32,0 | 40,0 | 9,0 |
| TS 32 42-L | 32,0 | 42,0 | 8,0 |
| TS 32 42-L2 | 32,0 | 42,0 | 11,0 |
| TS 35 43-L2 | 35,0 | 43,0 | 6,3 |
| TS 35 43-L | 35,0 | 43,0 | 7,0 |
| TS 35 43-L1 | 35,0 | 43,0 | 9,0 |
| TS 35 45-L | 35,0 | 45,0 | 8,0 |
| TS 35 45-L1 | 35,0 | 45,0 | 11,0 |
| TS 35 50-L | 35,0 | 50,0 | 11,0 |
| TS 36 44-L1 | 36,0 | 44,0 | 6,3 |
| TS 36 46-L | 36,0 | 46,0 | 8,0 |
| TS 40 48-L1 | 40,0 | 48,0 | 6,3 |
| TS 40 48-L2 | 40,0 | 48,0 | 7,0 |
| TS 40 48-L | 40,0 | 48,0 | 9,0 |
| TS 40 50-L2 | 40,0 | 50,0 | 8,0 |
| TS 40 55-L1 | 40,0 | 55,0 | 11,0 |
| TS 40 60-L | 40,0 | 60,0 | 11,0 |
| TS 42 52-L | 42,0 | 52,0 | 9,0 |
| TS 45 53-L3 | 45,0 | 53,0 | 6,3 |
| TS 45 53-L | 45,0 | 53,0 | 9,0 |
| TS 45 55-L2 | 45,0 | 55,0 | 6,3 |
| TS 45 55-L | 45,0 | 55,0 | 8,0 |
| TS 45 55-L1 | 45,0 | 55,0 | 11,0 |
| TS 45 57-L | 45,0 | 57,0 | 10,5 |
| TS 49 65-L | 49,5 | 65,3 | 11,0 |
| TS 50 58-L | 50,0 | 58,0 | 9,0 |
| TS 50 60-L | 50,0 | 60,0 | 8,0 |
| TS 50 60-L2 | 50,0 | 60,0 | 10,0 |
| TS 50 60-L1 | 50,0 | 60,0 | 11,0 |
| TS 50 62-L1 | 50,0 | 62,0 | 9,0 |
| TS 50 65-L | 50,0 | 65,0 | 11,0 |
| TS 50 65-L1 | 50,0 | 65,0 | 12,5 |
| TS 55 63-L | 55,0 | 63,0 | 9,0 |
| TS 55 65-L | 55,0 | 65,0 | 8,0 |
| TS 55 65-L1 | 55,0 | 65,0 | 11,0 |
| TS 55 65-L2 | 55,0 | 65,0 | 13,0 |
| TS 56 66-L1 | 56,0 | 66,0 | 7,5 |
| TS 56 71-L | 56,0 | 71,0 | 12,5 |
| TS 60 68-L | 60,0 | 68,0 | 9,0 |
| TS 60 70-L | 60,0 | 70,0 | 8,0 |
| TS 60 70-L1 | 60,0 | 70,0 | 11,0 |
| TS 60 70-L2 | 60,0 | 70,0 | 12,5 |
| TS 60 70-L3 | 60,0 | 70,0 | 13,0 |
| TS 60 71-L | 60,0 | 71,0 | 9,0 |
| TS 60 72-L | 60,0 | 72,0 | 10,0 |
| TS 60 75-L1 | 60,0 | 75,0 | 11,0 |
| TS 61 69-L1 | 61,0 | 69,7 | 9,0 |
| TS 63 73-L | 63,0 | 73,0 | 11,0 |
| TS 63 75-L2 | 63,0 | 75,0 | 9,5 |
| TS 63 75-L1 | 63,0 | 75,0 | 11,0 |
| TS 65 73-L | 65,0 | 73,0 | 9,0 |
| TS 65 75-L | 65,0 | 75,0 | 13,0 |
| TS 70 78-L | 70,0 | 78,0 | 9,0 |
| TS 70 80-L | 70,0 | 80,0 | 8,0 |
| TS 70 80-L1 | 70,0 | 80,0 | 11,0 |
| TS 70 80-L2 | 70,0 | 80,0 | 13,0 |
| TS 70 82-L | 70,0 | 82,0 | 10,0 |
| TS 70 85-L | 70,0 | 85,0 | 12,5 |
| TS 75 83-L1 | 75,0 | 83,0 | 9,0 |



Artikal

| Naziv | d (mm) | D (mm) | L (mm) |
|---------------|-----------|-----------|-----------|
| TS 75 85-L | 75,0 | 85,0 | 8,0 |
| TS 75 85-L1 | 75,0 | 85,0 | 13,0 |
| TS 78 86-L1 | 78,0 | 86,0 | 9,0 |
| TS 79 87-L | 79,0 | 87,7 | 9,0 |
| TS 80 88-L2 | 80,0 | 88,0 | 9,0 |
| TS 80 88-L1 | 80,0 | 88,0 | 12,5 |
| TS 80 90-L | 80,0 | 90,0 | 8,0 |
| TS 80 90-L1 | 80,0 | 90,0 | 13,0 |
| TS 80 92-L | 80,0 | 92,0 | 9,6 |
| TS 80 95-L | 80,0 | 95,0 | 12,5 |
| TS 80 96-L | 80,0 | 96,0 | 10,5 |
| TS 85 93-L | 85,0 | 93,0 | 9,0 |
| TS 85 95-L | 85,0 | 95,0 | 8,0 |
| TS 85 95-L1 | 85,0 | 95,0 | 13,0 |
| TS 88 101-L | 88,9 | 101,6 | 10,5 |
| TS 90 102-L | 90,0 | 102,0 | 10,0 |
| TS 90 105-L | 90,0 | 105,0 | 12,5 |
| TS 95 103-L | 95,0 | 103,0 | 9,0 |
| TS 98 106-L | 98,0 | 106,7 | 9,0 |
| TS 100 108-L | 100,0 | 108,0 | 12,5 |
| TS 100 115-L | 100,0 | 115,0 | 13,0 |
| TS 105 113-L | 105,0 | 113,0 | 9,0 |
| TS 108 116-L | 108,0 | 116,0 | 9,0 |
| TS 110 125-L | 110,0 | 125,0 | 12,0 |
| TS 115 123-L | 115,0 | 123,0 | 9,0 |
| TS 116 124-L | 116,0 | 124,7 | 9,0 |
| TS 120 128-L1 | 120,0 | 128,0 | 12,5 |
| TS 125 133-L1 | 125,0 | 133,0 | 7,5 |
| TS 130 145-L | 130,0 | 145,0 | 16,0 |
| TS 135 143-L1 | 135,0 | 143,0 | 9,0 |
| TS 135 143-L | 135,0 | 143,7 | 9,0 |
| TS 135 150-L | 135,0 | 150,0 | 12,5 |
| TS 140 150-L | 140,0 | 150,0 | 12,5 |
| TS 154 162-L | 154,0 | 162,7 | 9,0 |
| TS 170 180-L | 170,0 | 180,0 | 11,0 |