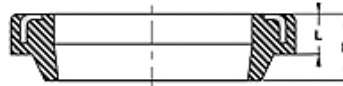
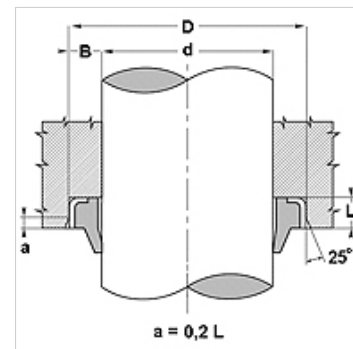


### Osobine

Konstrukcija	Skidač
Brzina max.	0,5 m/s
Temperatura min.	-30 °C
Temperatura max.	100 °C
Mediji	Mineralna ulja Vodene emulzije
Montaža	utiskuje se u otvoreni žleb
Materijal	(1) Čaura: čelik (2) Skidač: 90° Shore A NBR
Primena	Hidraulika



Toleranz / Tolerance		
d	D	L
h11	H8	+0,20 0



### Opis

Mala potreba za prostorom  
bez prodirana prijavštine preko spoljašnjeg metalnog prstena.  
Jednostavno rešenje.

### Napomene u vezi porudžbine

Molimo kontaktirajte nas ukoliko imate pitanja u vezi posebnih uslova rada (tečnosti, temperatura, pritisak ...).  
Moguć drugi materijal: FPM.

### Artikal

Naziv	d (mm)	D (mm)	L (mm)	H (mm)
GA 12 18-3-R	12	18,0	3,5	5,0
GA 14 20-3-R	14	20,0	3,5	5,0
GA 15 21-3-R	15	21,0	3,5	5,0
GA 16 22-3-R	16	22,0	3,5	5,0
GA 18 28-5-R	18	28,0	5,0	7,0
GA 20 30-5-R	20	30,0	5,0	7,0
GA 22 32-5-R	22	32,0	5,0	7,0
GA 25 35-5-R	25	35,0	5,0	7,0
GA 28 38-5-R	28	38,0	5,0	7,0
GA 30 40-5-R	30	40,0	5,0	7,0
GA 30 40-7-R	30	40,0	7,0	10,0
GA 32 42-5-R	32	42,0	5,0	7,0
GA 36 46-5-R	36	46,0	5,0	7,0
GA 40 50-5-R	40	50,0	5,0	8,0
GA 42 52-5-R	42	52,0	5,0	7,0
GA 45 55-5-R	45	55,0	5,0	7,0
GA 50 60-5-R	50	60,0	5,0	7,0
GA 55 65-5-R	55	65,0	5,0	7,0
GA 56 66-5-R	56	66,0	5,0	7,0
GA 60 70-5-R	60	70,0	5,0	7,0
GA 63 73-5-R	63	73,0	5,0	7,0
GA 65 75-5-R	65	75,0	5,0	7,0
GA 70 80-5-R	70	80,0	5,0	7,0
GA 75 83-7-R	75	83,0	7,0	10,0
GA 80 88-7-R	80	88,0	7,0	10,0
GA 80 90-7-R	80	90,0	7,0	10,0