

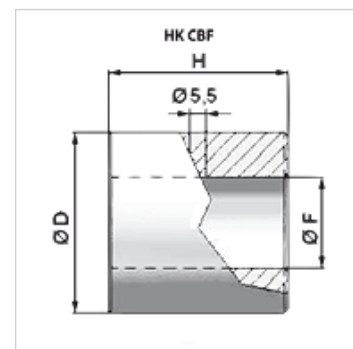
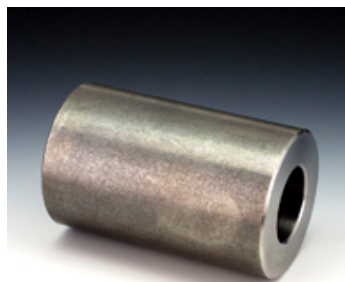
HK CBF

Košuljica okretnog ležaja sa izbušenim otovorom

HANSA FLEX

Osobine

Materijal Čelik S355J0 (Fe510C)



Artikal

Naziv	$\varnothing D$ (mm)	$\varnothing F$ (mm)	H (mm)	Težina (kg)
HK CBF 0035 065 060	65,0	35,50	60,0	1,10
HK CBF 0035 065 120	65,0	35,50	120,0	2,20
HK CBF 0050 085 080	85,0	50,50	80,0	2,30
HK CBF 0050 085 140	85,0	50,50	140,0	4,00
HK CBF 0060 100 090	100,0	60,50	90,0	3,50
HK CBF 0060 100 150	100,0	60,50	150,0	5,85