

FI ND E ST

Element filtera za filter niskog pritiska ST

HANSA FLEX

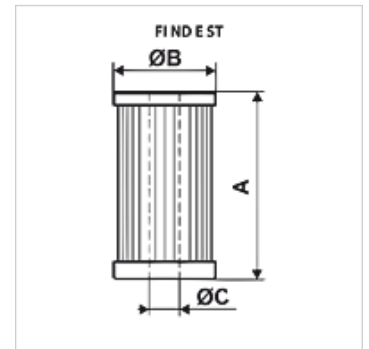
Osobine

Temperatura min. -25 °C

Temperatura max. 120 °C

Materijal Zaptivka: NBR

Radni pritisak maks. 10 bara



Artikal

| Naziv | Filterska jedinica (μm) | Filter material | A (mm) | Ø B (mm) | Ø C (mm) | Težina (kg) |
|----------------------------|---|-----------------|-----------|-------------|-------------|----------------|
| FI ND E ST 0010 A06 | 6,0 | neorganski | 305,0 | 102,0 | 63,5 | 0,5 |

Qmax - maks. volumen protoka