

# FI HD E MP

Element filtra za visokopritisni filter MP

**HANSA FLEX**

## Osobine

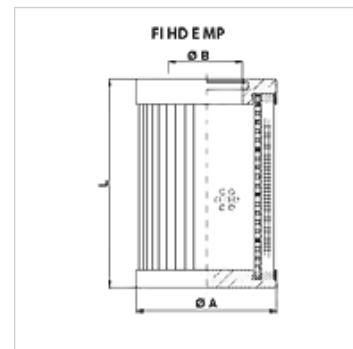
Posebne karakteristike  $\Delta p$  max. 20 bar

Temperatura min. -25 °C

Temperatura max. 120 °C

Materijal Zaptivka: NBR

Radni pritisak maks. 210 bara



## Artikal

Naziv	Filterska jedinica (µm)	Površina filtera (cm <sup>2</sup> )	Qmax (L/min)	Filter material	L (mm)	Ø A (mm)	Ø B (mm)	Težina (kg)
FI HD E MP 0078 A10	10,0	300	80	neorganski	76,5	52,0	24,0	0,21
FI HD E MP 0086 A05	5,0	399	34	neorganski	86,0	45,0	25,4	0,20
FI HD E MP 0086 A10	10,0	399	60	neorganski	86,0	45,0	25,4	0,20
FI HD E MP 0114 A05	5,0	550	58	neorganski	114,0	45,0	25,4	0,30
FI HD E MP 0114 A10	10,0	550	95	neorganski	114,0	45,0	25,4	0,30
FI HD E MP 0210 A05	5,0	1069	100	neorganski	210,0	45,0	25,4	0,42
FI HD E MP 0210 A10	10,0	1069	100	neorganski	210,0	45,0	25,4	0,42
FI HD E MP 0234 A05	5,0	1672	200	neorganski	234,0	51,0	27,1	0,60
FI HD E MP 0234 A10	10,0	1672	200	neorganski	234,0	51,0	27,1	0,60
FI HD E MP 0236 A05	5,0	2943	350	neorganski	236,0	78,0	40,2	1,30
FI HD E MP 0236 A10	10,0	2943	350	neorganski	236,0	78,0	40,2	1,30

Qmax - maks. volumen protoka